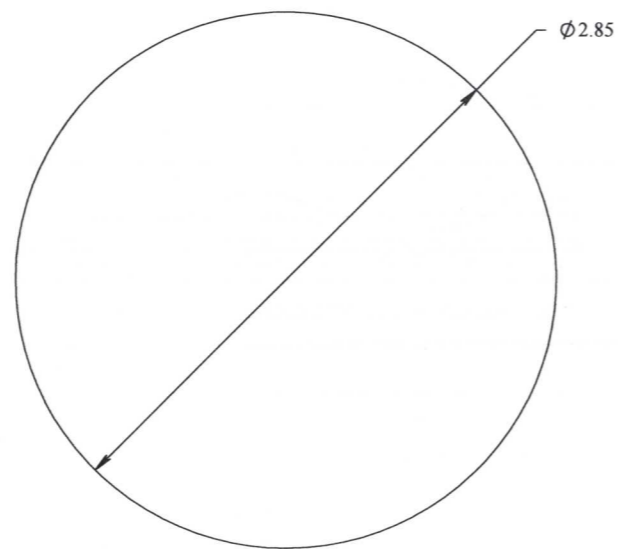
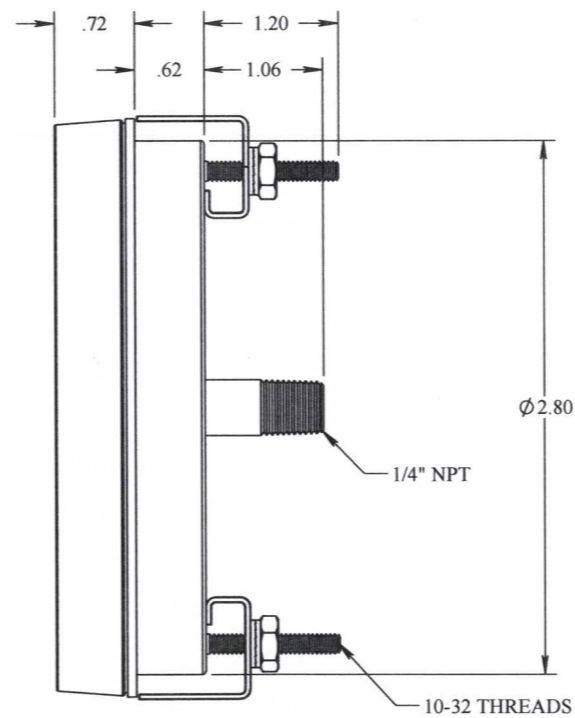
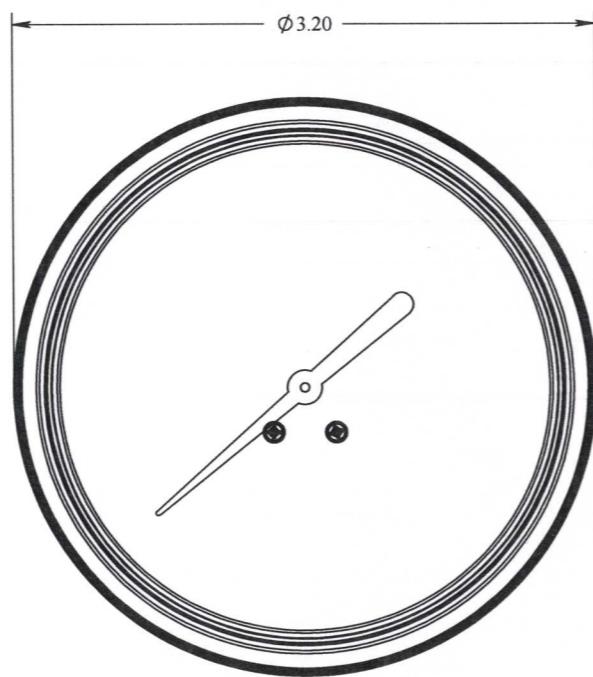


REVISIONS				
REV.	DESCRIPTION	ECO #	DATE	APPROVED
A1	RELEASE	2014-224	6/26/2014	GMB



PANEL CUTOUT SIZE

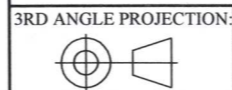


PROPRIETARY AND CONFIDENTIAL:
THE INFORMATION CONTAINED IN THIS DRAWING IS THE SOLE PROPERTY OF THE SUBSEA COMPANY INC. ANY REPRODUCTION IN PART OR AS A WHOLE WITHOUT THE WRITTEN PERMISSION OF THE SUBSEA COMPANY INC IS PROHIBITED.

WORKMANSHIP STANDARD PER WI 751-001

UNLESS OTHERWISE SPECIFIED: ALL DIMENSIONS ARE IN INCHES

WEIGHT: 0.76 lbs.



INTERPRET GEOMETRIC TOLERANCING PER: ASME Y14.5

	NAME	DATE
DRAWN	AYS	6/26/14
CHECKED	GREG	7/11/14
Q.A.	PK	7/14/14
MFG./SALES	PK	7/15/14

SCALE: 3:5

DO NOT SCALE DRAWING



THE SUBSEA COMPANY INC

SIZE B

TITLE: SUBSEA PRESSURE GAUGE - 2.5" PANEL MOUNT

REV A1

DWG. NO. TSC-01497

SHEET 1 OF 1