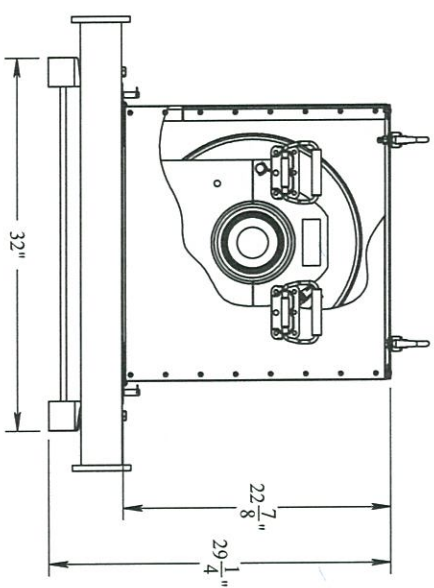
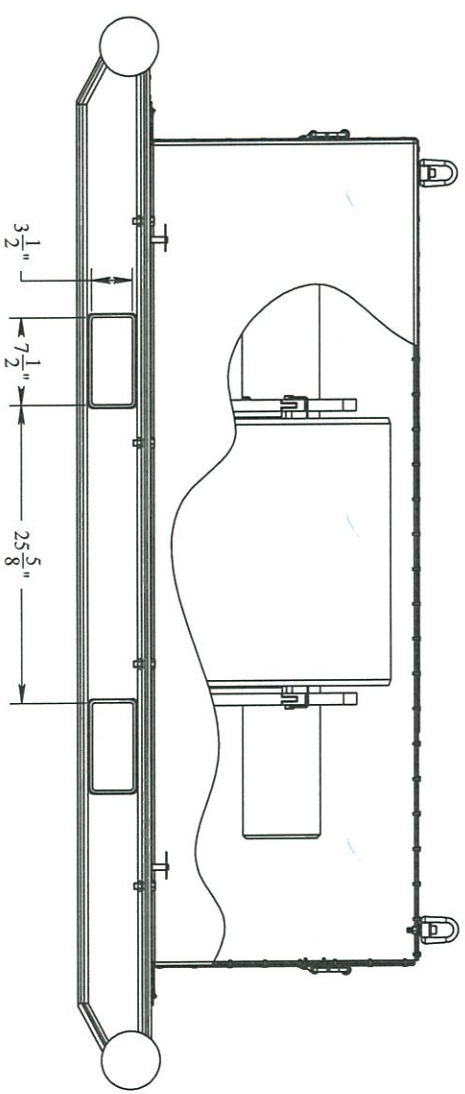
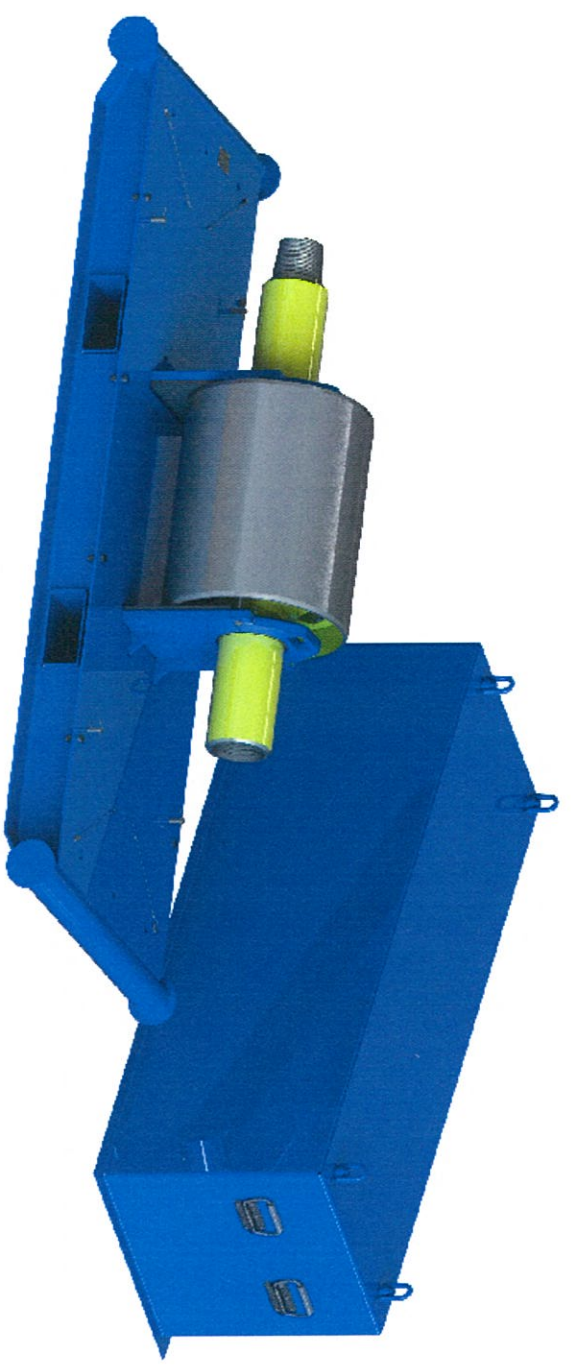
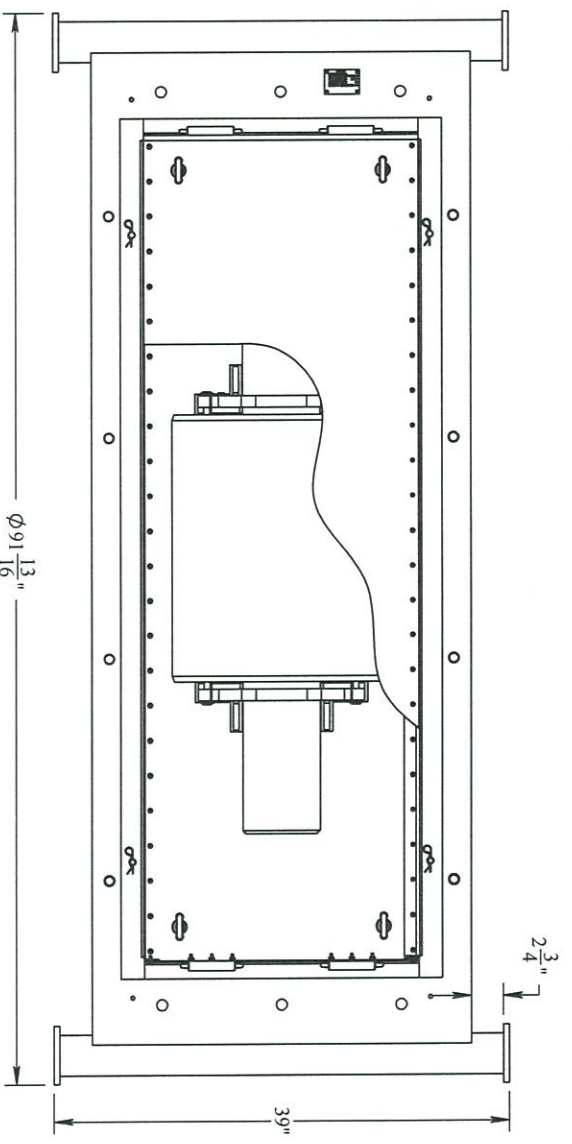


REVISIONS			
REV.	DESCRIPTION	ECO #	DATE
A1	RELEASE	2014-458	10/21/2014

ECO #	DATE	APPROVED
2014-458	10/21/2014	CAIB



DRIIFT FEATURES

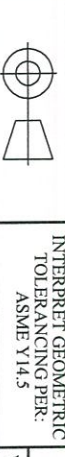
1. DRIIFT FEATURES
2. OUTSIDE DIAMETER 18 720 + 010-000
3. 4-1/2" NC50 BOX X PIN
4. DESIGNED IAW WITH API SPECIFICATION 7. MEETS OR EXCEEDS REQUIREMENTS OF TABLE 7
5. MAKE-UP WITH CHAIN TONGS
6. WORKING LOAD 10,000 LBS
7. PULL TESTED TO 15,000 LBS
8. APPROXIMATE WEIGHT: 1557 LBS
9. MILD STEEL CONSTRUCTION (36 KSI)
10. DRIIFT IS DESIGNED FOR SURFACE TESTING ONLY

SKID FEATURES

11. SKID FOR TRANSPORTATION AND ON-SHIP STORAGE OF DRILL PIPE DRIIFT
12. APPROXIMATE SHIPPING WEIGHT, WITH 23" BODY, BOX X PIN DRIIFT AND PROTECTIVE COVER: 2100 LBS
13. DESIGNED FOR ENTIRE SKID AND DRIIFT TO BE LIFTED WITH SLINGS FROM FAR CORNERS, OR BY FORKLIFT FROM SIDES
14. VENT HOLES ON FRONT AND BACK
15. POLYURETHANE SPACERS PROTECT DRILL PIPE AND MAIN CYLINDER OF DRIIFT
16. COVER AND DRILL PIPE CRADLE ATTACHED BY CLEVIS PINS FOR EASE OF USE

PROPRIETARY AND CONFIDENTIAL:

THE INFORMATION CONTAINED IN THIS DRAWING IS THE SOLE PROPERTY OF THE SUBSEA COMPANY INC. ANY REPRODUCTION IN PART OR AS A WHOLE WITHOUT THE WRITTEN PERMISSION OF THE SUBSEA COMPANY INC IS PROHIBITED.



WORKMANSHIP STANDARD

PER WI 751-001

UNLESS OTHERWISE SPECIFIED:
ALL DIMENSIONS ARE IN INCHES

WEIGHT: 2100 lbs.

DRAWN	NAME	DATE
CHEKED	NAME	DATE
MFG./SALES	NAME	DATE

SUBSEA COMPANY
THE SUBSEA COMPANY INC

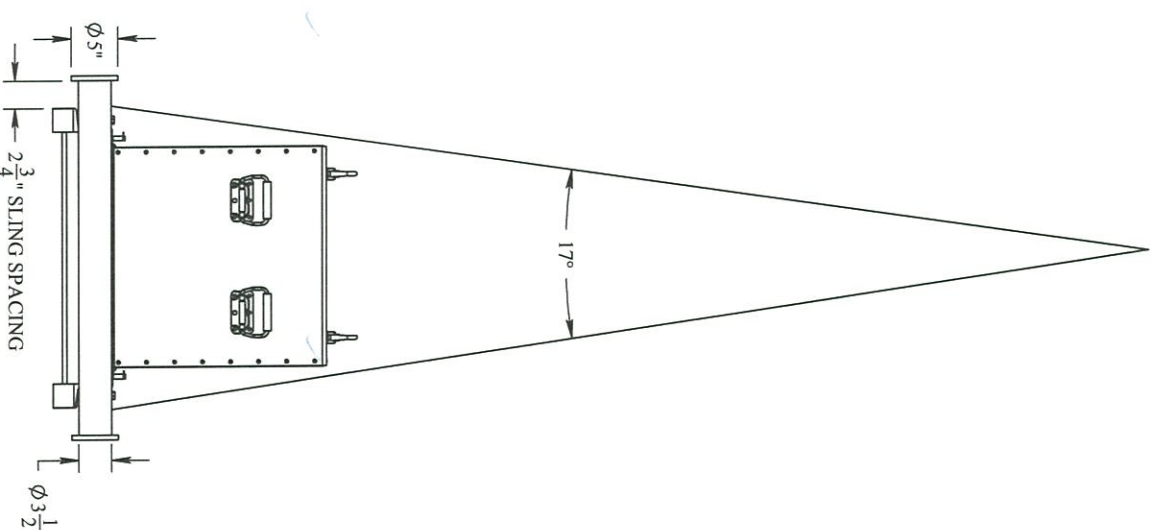
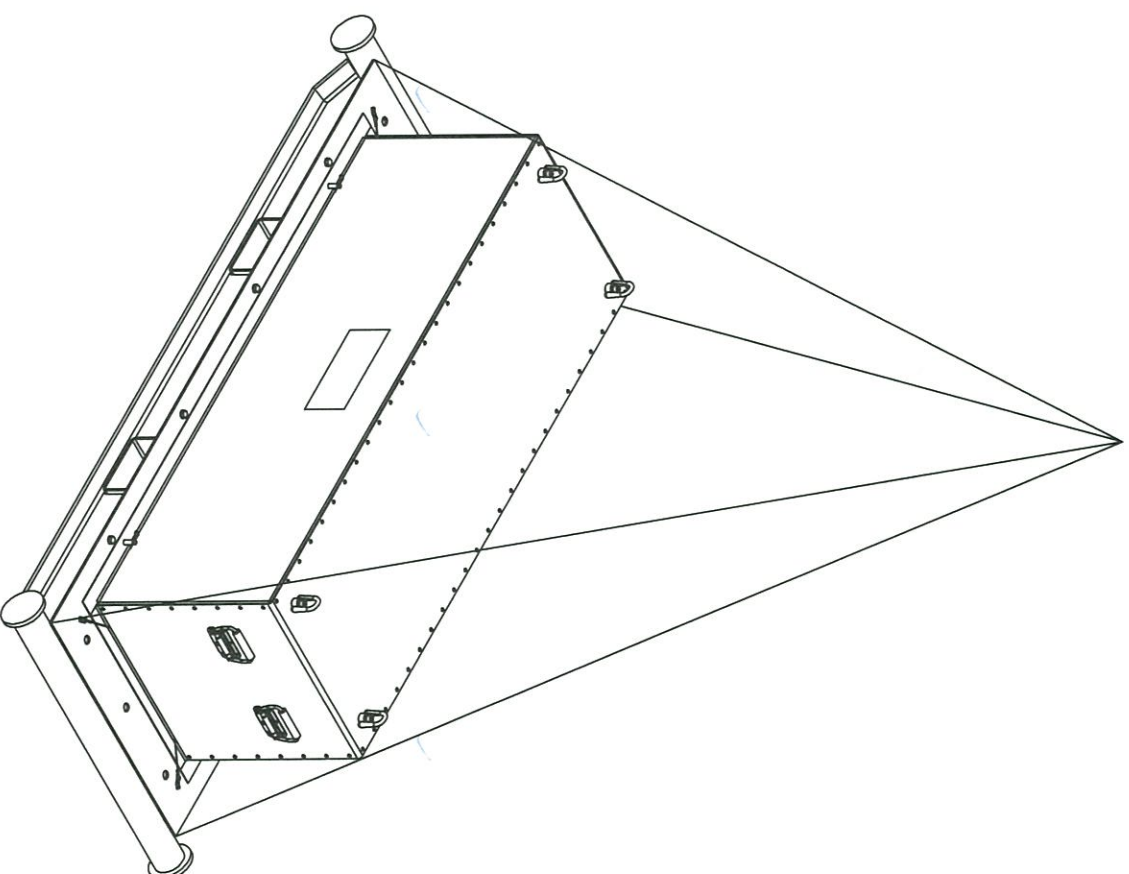
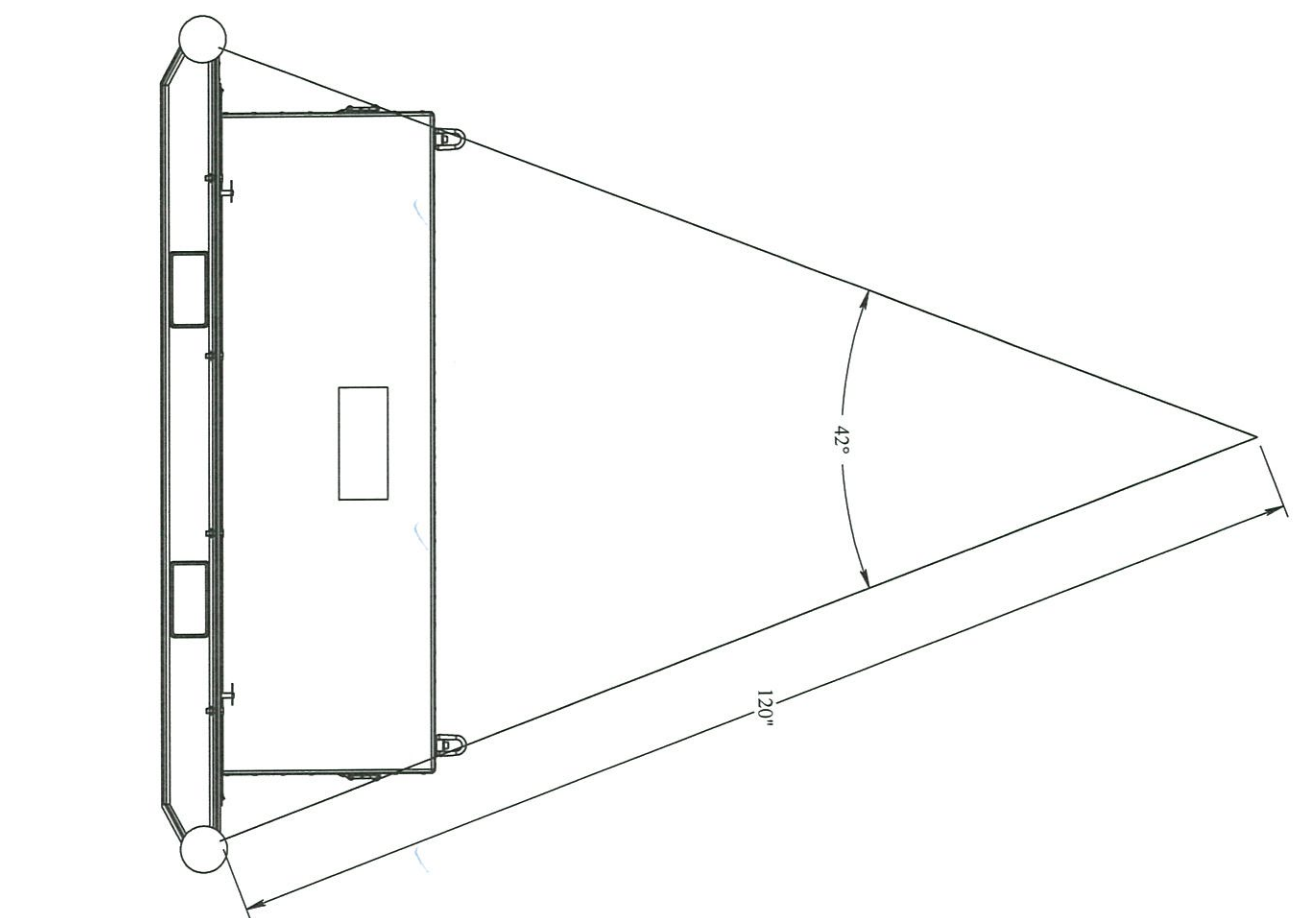
SIZE: **B**
TITLE: DRIIFT ASSEMBLY 18 3/4" API, 23" 4 1/2" NC50 BOX X PIN

DWG. NO.: TSC-02110-GA

REV **A1**

SHEET 1 OF 2

LIFTING INSTRUCTIONS



- STRAIGHT RIGGING:**
1. USE FOUR 10' OR LONGER SLINGS
 2. SLIP EYE OF SLING OVER 5" DIAMETER END PLATE, ONTO 3-1/2" DIAMETER PIPE
- SPREADER BAR:**
1. USE 8" SPREADER BAR AND TWO 10' OR LONGER SLINGS.
 2. SLIP EYE OF SLING OVER 5" DIAMETER END PLATE, ONTO 3-1/2" DIAMETER PIPE

<p>PROPRIETARY AND CONFIDENTIAL: THE INFORMATION CONTAINED IN THIS DRAWING IS THE SOLE PROPERTY OF THE SUBSEA COMPANY INC. ANY REPRODUCTION IN PART OR AS A WHOLE WITHOUT THE WRITTEN PERMISSION OF THE SUBSEA COMPANY INC IS PROHIBITED.</p> <p>3RD ANGLE PROJECTION</p>		<p>INTERPRET GEOMETRIC TOLERANCING PER: ASME Y14.5</p>		<p>WORKMANSHIP STANDARD PER WI 751-001</p>		<p>UNLESS OTHERWISE SPECIFIED: ALL DIMENSIONS ARE IN INCHES</p>	
DRAWN	NAME	DATE	CHECKED	NAME	DATE	<p>SUBSEA COMPANY THE SUBSEA COMPANY INC</p>	
QA		10-20-14	QA		10-20-14	<p>SIZE: B</p> <p>TITLE: DRIFT ASSEMBLY 18 3/4" API, 23" 4 1/2" NCS0 BOX X PIN</p>	
MFG APPR			MFG APPR			<p>DWG. NO. TSC-02110-GA</p>	
						<p>REV A1</p>	
						<p>SHEET 2 OF 2</p>	