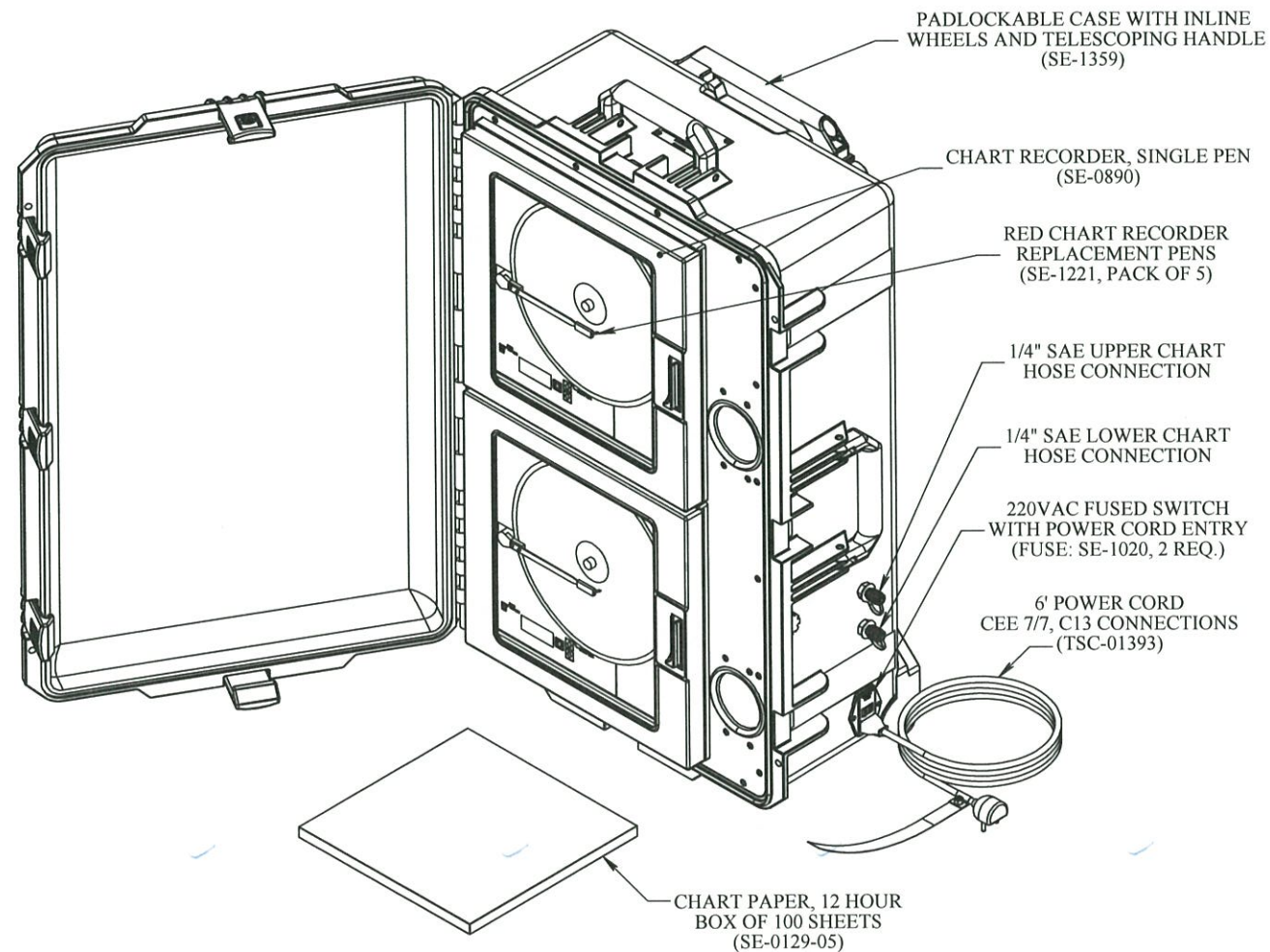


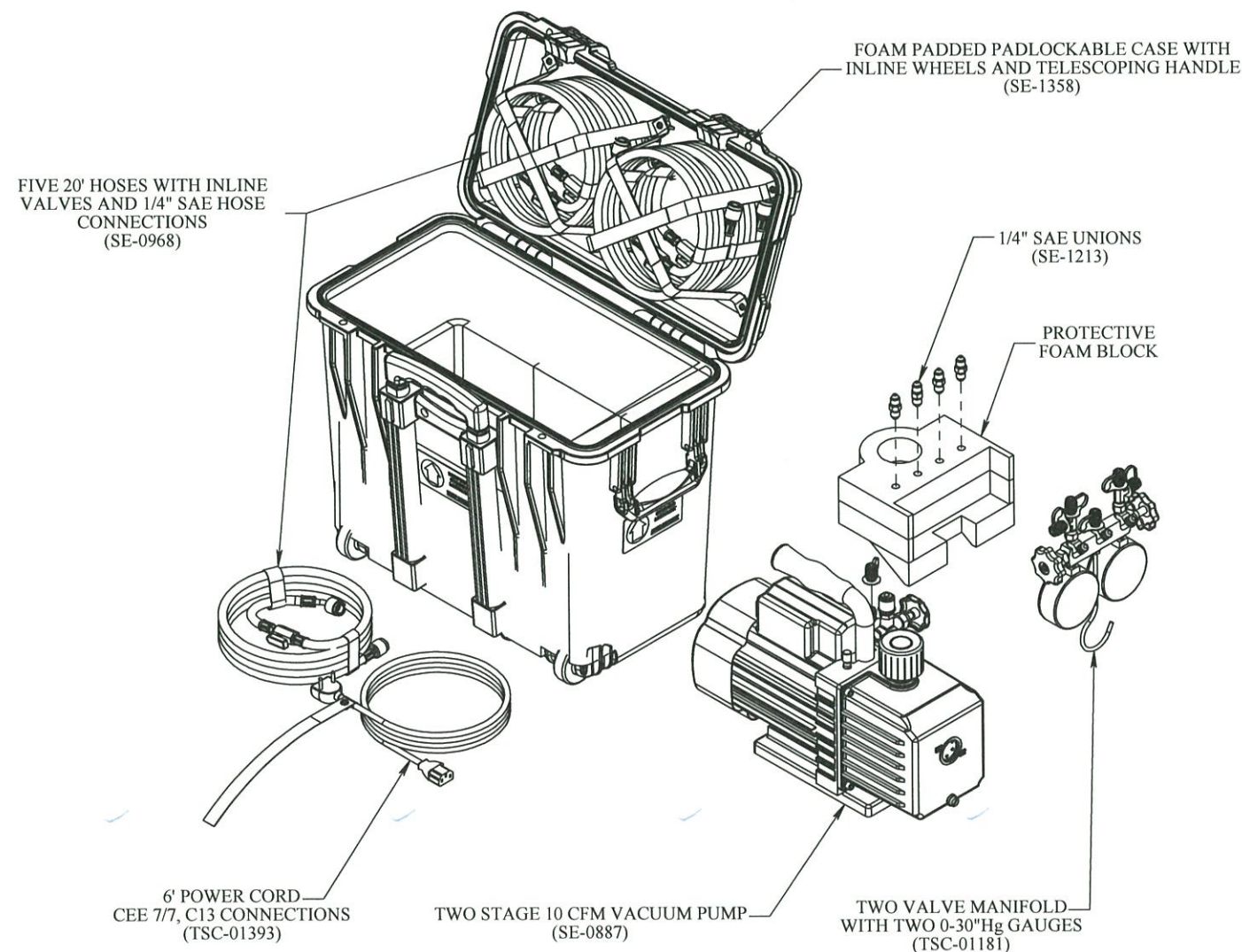
REVISIONS				
REV.	DESCRIPTION	ECO #	DATE	APPROVED
C1	ADDED NOTES TO CHECK GA DRAWINGS FOR SPARE AND REPAIR PARTS KITS	2014-488	11/19/20	<i>CHS</i>



TSC-01180

SPECIFICATIONS:

- TWO ELECTRONIC 10 INCH CHART RECORDERS DESIGNED TO GRAPH TWO SEPARATE VACUUM SOURCES INDEPENDENT FROM EACH OTHER.
- DIGITAL READOUT TO CORRESPOND WITH PANEL MOUNTED ANALOG GAUGES.
- TWO 4-20 MILLIAMPS VACUUM TRANSDUCERS.
- TWO 1/4" SAE VACUUM PORT CONNECTIONS WITH DUST CAPS.
- 220 VAC FUSED POWER SWITCH WITH POWER CORD ENTRY.
- 6 FT. POWER CORD WITH CEE 7/7 AND C13 CONNECTIONS.
- RUGGED PADLOCKABLE CASE WITH INLINE WHEELS AND TELESCOPING HANDLE.
- ONE BOX OF 100 TWELVE HOUR CHARTS (SE-0129-05).
- DESIGNED TO WORK WITH VACUUM PUMP SYSTEM TSC-01179.
- DIMENSIONS: 33-1/4"H, 20-1/4"W, 12"D.
- WEIGHT: 50.0 LBS.
- REFER TO DRAWING TSC-01180-GA FOR SPARE PARTS KIT AND REPAIR PARTS KIT.



TSC-01179

SPECIFICATIONS:

- 10 CFM TWO STAGE VACUUM PUMP, 220VAC, 50/60Hz, 1/2 HP, 3440 RPM.
- 6' POWER CORD WITH CEE 7/7 AND C13 CONNECTIONS.
- TWO VALVE VACUUM MANIFOLD WITH TWO 3-1/8" 0-30"Hg GAUGES.
- 1/4" SAE CONNECTIONS WITH DUST CAPS.
- FIVE 20' 1/4" SAE HOSE SETS WITH INLINE ISOLATION VALVES AND KNURLED KNOBS REQUIRING ONLY FINGER TIGHT CONNECTIONS.
- FOUR 1/4" SAE STAINLESS STEEL UNIONS TO INTERCONNECT HOSES IF NEEDED.
- FOAM PADDED RUGGED PADLOCKABLE CASE WITH INLINE WHEELS AND TELESCOPING HANDLE.
- DESIGNED TO WORK WITH VACUUM CHART RECORDER SYSTEM TSC-01180.
- DIMENSIONS: 21-1/2"H, 20-1/4"W, 11-7/8"D.
- WEIGHT 59 LBS.
- REFER TO DRAWING TSC-01179-GA FOR SPARE PARTS KIT AND REPAIR PARTS KIT.



PROPRIETARY AND CONFIDENTIAL:
THE INFORMATION CONTAINED IN THIS DRAWING IS THE SOLE PROPERTY OF THE SUBSEA COMPANY INC. ANY REPRODUCTION IN PART OR AS A WHOLE WITHOUT THE WRITTEN PERMISSION OF THE SUBSEA COMPANY INC IS PROHIBITED.

WORKMANSHIP STANDARD PER WI 751-001

UNLESS OTHERWISE SPECIFIED:
ALL DIMENSIONS ARE IN INCHES

WEIGHT: 109.0 lbs. COMBINED

3RD ANGLE PROJECTION:



INTERPRET GEOMETRIC TOLERANCING PER: ASME Y14.5

	NAME	DATE
DRAWN	<i>Polley</i>	11-18-14
CHECKED	<i>Good</i>	11-19-14
Q.A.	<i>R</i>	11-20-14
MFG APPR.	<i>104</i>	11-21-14

SCALE: 1:10

DO NOT SCALE DRAWING



SIZE: **B** TITLE: VACUUM SYSTEM, COMPACT PORTABLE ASSEMBLY REV: **C1**

DWG. NO. TSC-01111-GA SHEET 1 OF 1

ITEM NO.	PART NUMBER	DESCRIPTION	QTY.
10	TSC-01180	CHART RECORDER, VACUUM, ASSEMBLY WITH TWO ELECTRONIC SINGLE PEN CIRCULAR RECORDERS IN CASE	1
20	TSC-01179	VACUUM PUMP ASSEMBLY WITH CASE, 10 CFM	1