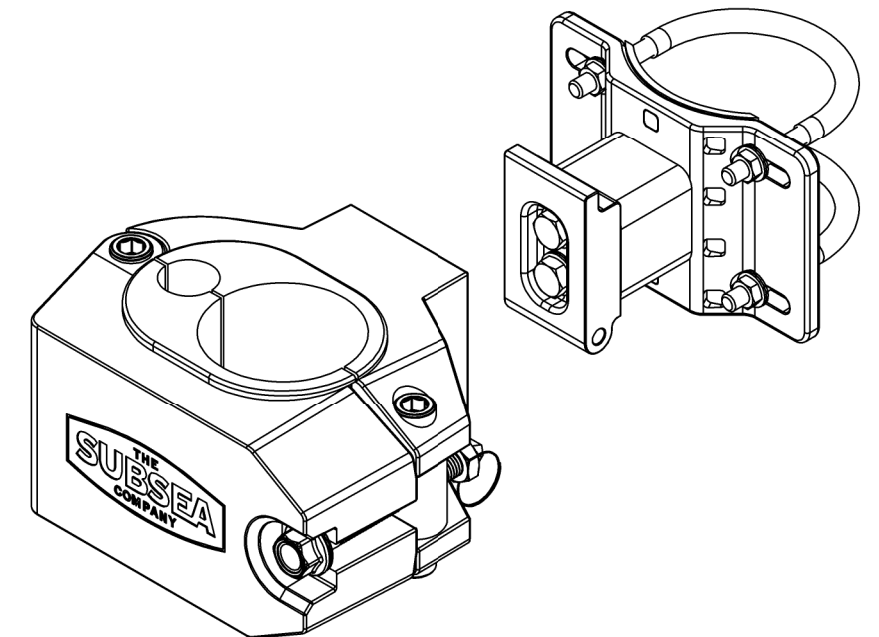
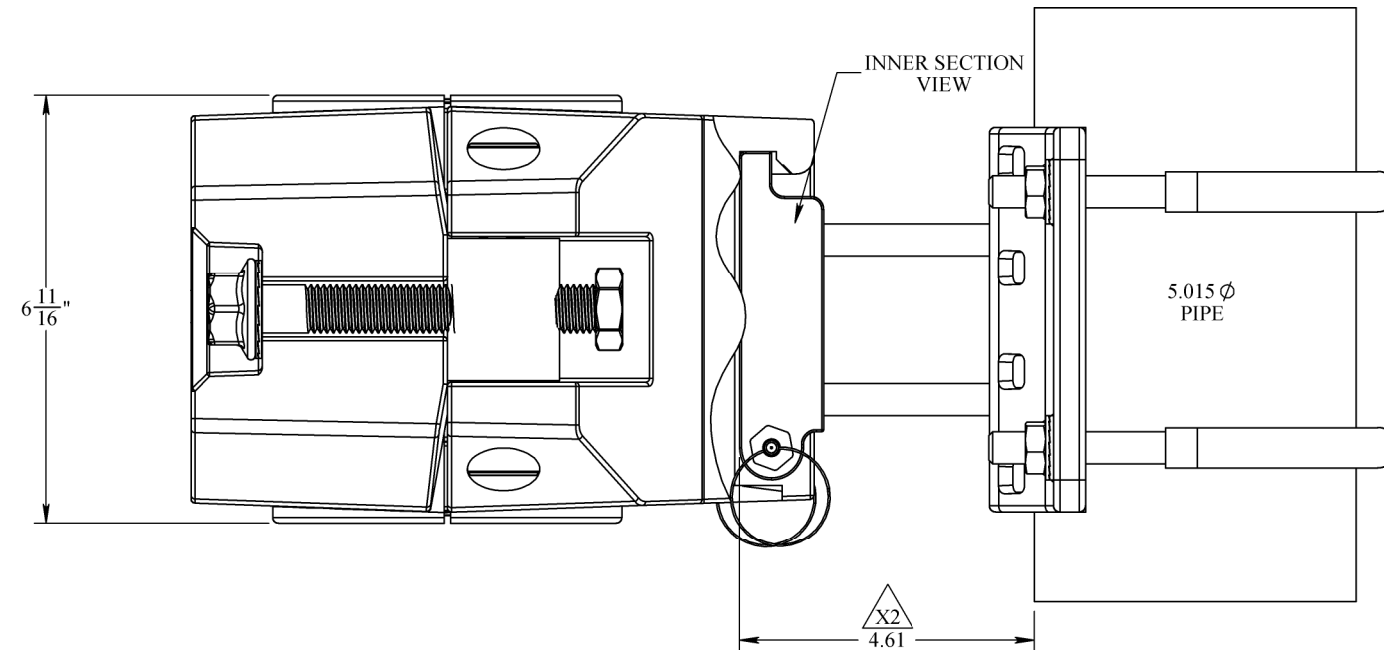
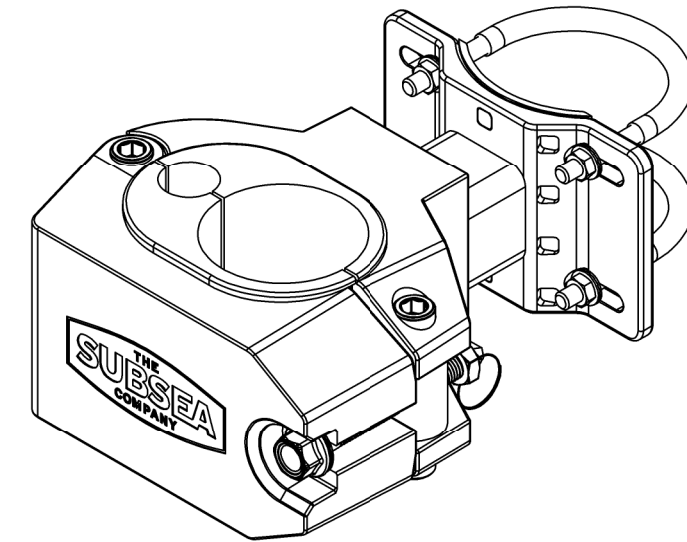
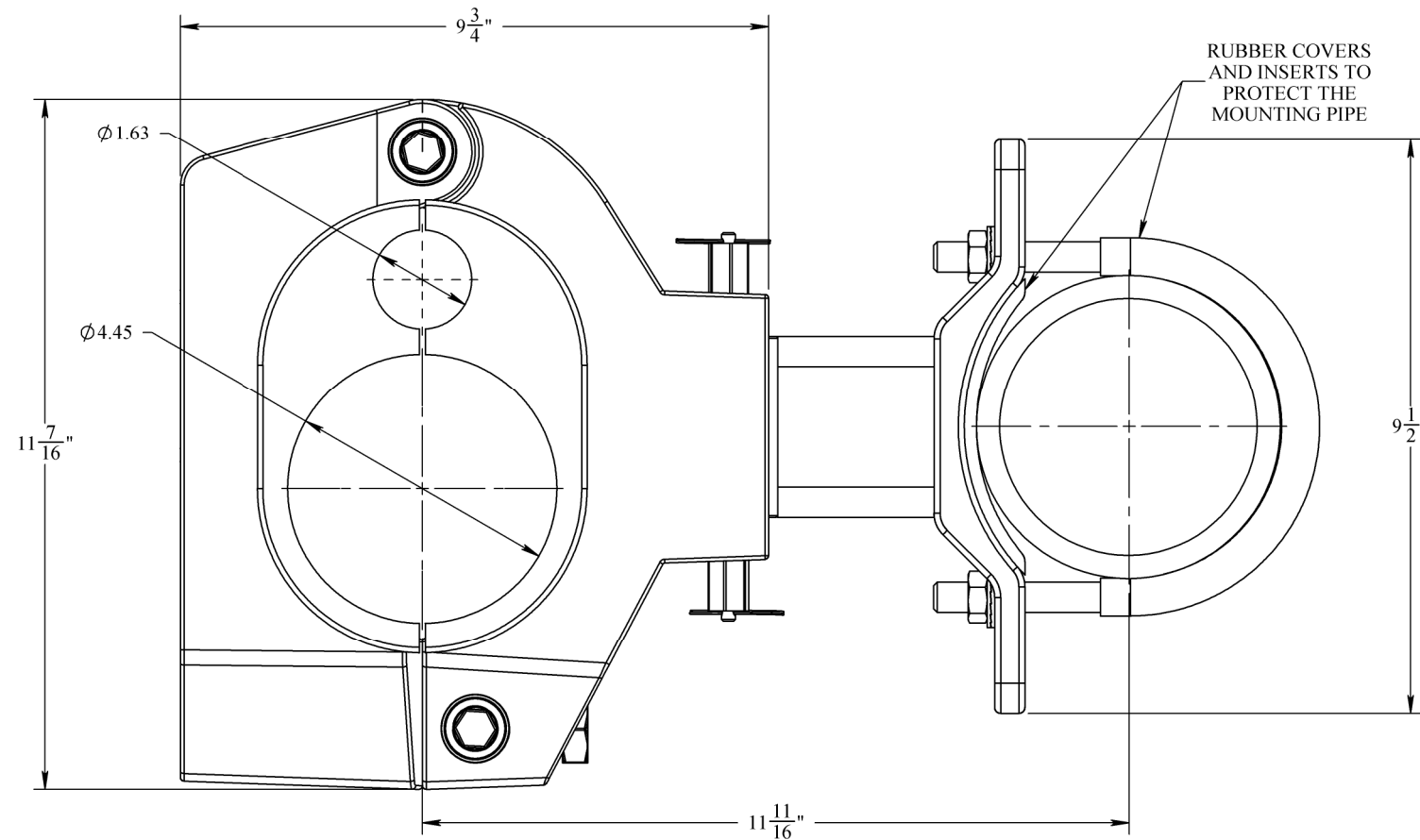


REVISIONS				
REV.	DESCRIPTION	ECO #	DATE	APPROVED
X2	UPDATED LENGTH TO CUSTOMER DIMENSIONS		2/1/2019	



APPROVED
By HENRIX SOTO at 8:01 am, Feb 14, 2019

DESIGN IS SUBJECT TO CUSTOMER REVIEW & RELEASE OF FINAL DRAWING

- NOTES:
 1. CLAMP CONSTRUCTION IS COMPOSITE MATERIAL OVER 316 STAINLESS STEEL FRAME.
 2. INSERTS ARE POLYURETHANE.
 3. MOUNTING ARM AND HARDWARE ARE 316 STAINLESS STEEL.

PROPRIETARY AND CONFIDENTIAL: THE INFORMATION CONTAINED IN THIS DRAWING IS THE SOLE PROPERTY OF THE SUBSEA COMPANY INC. ANY REPRODUCTION IN PART OR AS A WHOLE WITHOUT THE WRITTEN PERMISSION OF THE SUBSEA COMPANY INC IS PROHIBITED.	WORKMANSHIP STANDARD PER W1 751-001	NAME DATE		THE SUBSEA COMPANY INC	REV X2
	UNLESS OTHERWISE SPECIFIED: ALL DIMENSIONS ARE IN INCHES	DRAWN CHECKED APPROVED			
3RD ANGLE PROJECTION: 	INTERPRET GEOMETRIC TOLERANCING PER: ASME Y14.5	WEIGHT: 46 LBS	DWG. NO. TSC-02564 - GA	SHEET 1 OF 1	