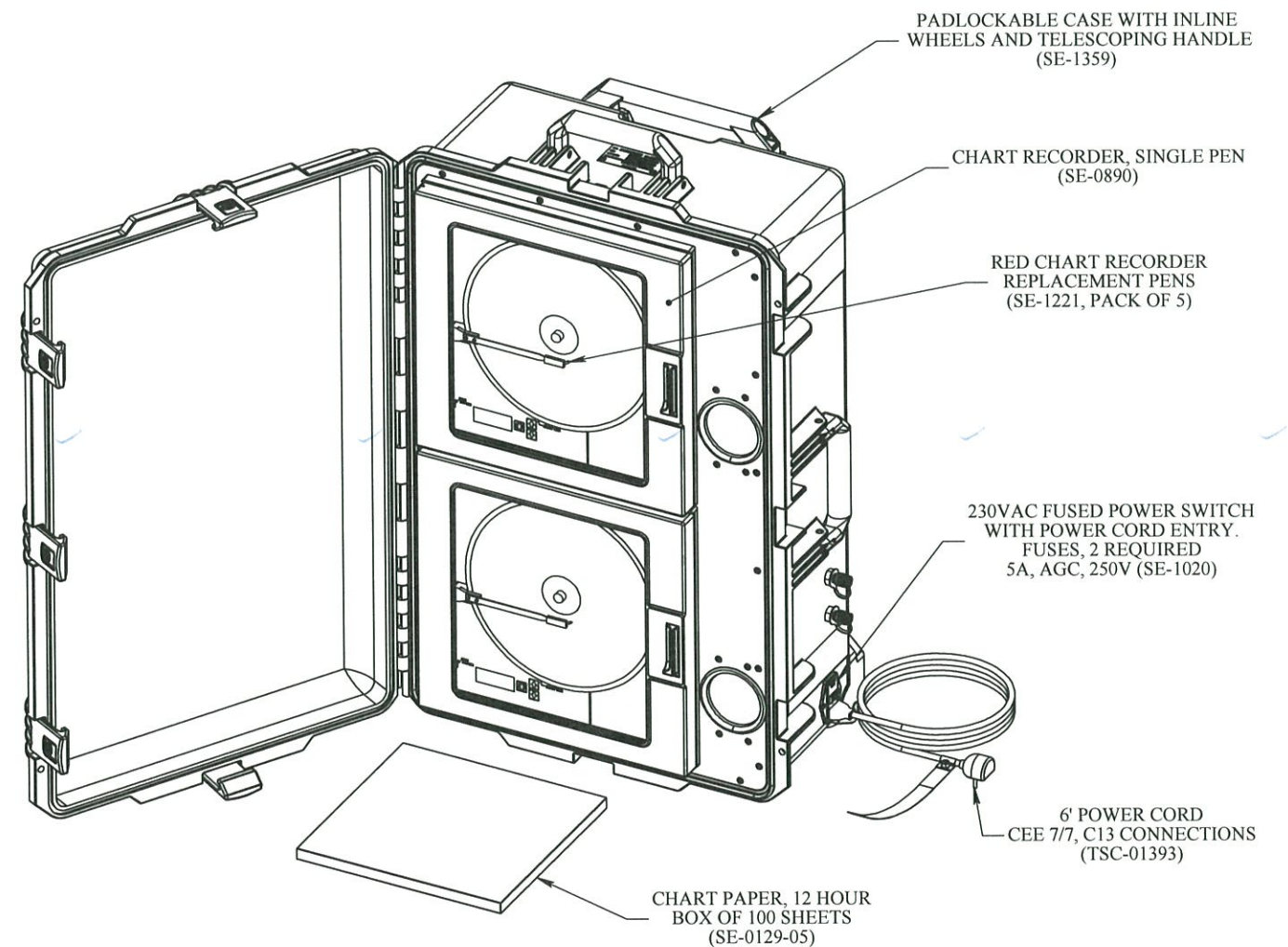
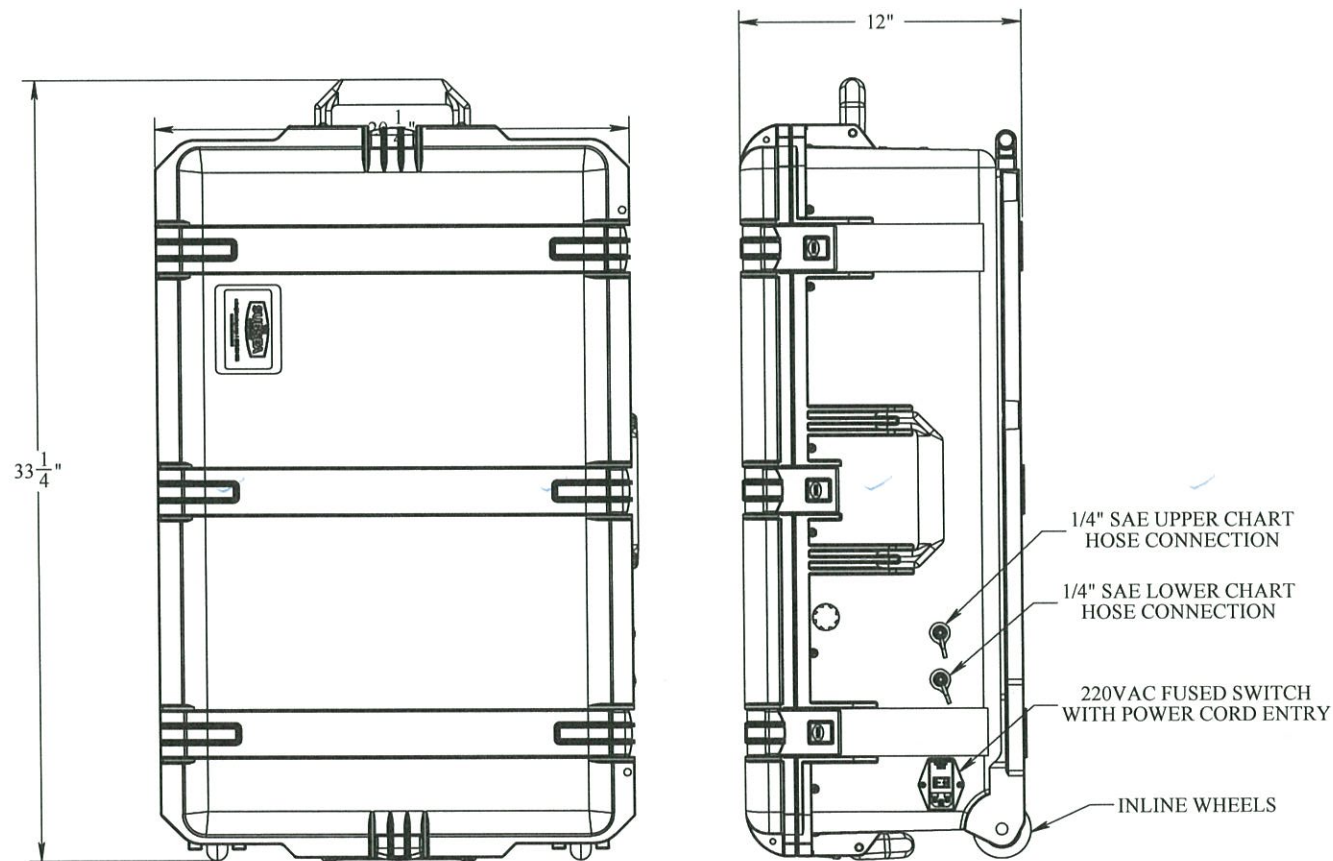
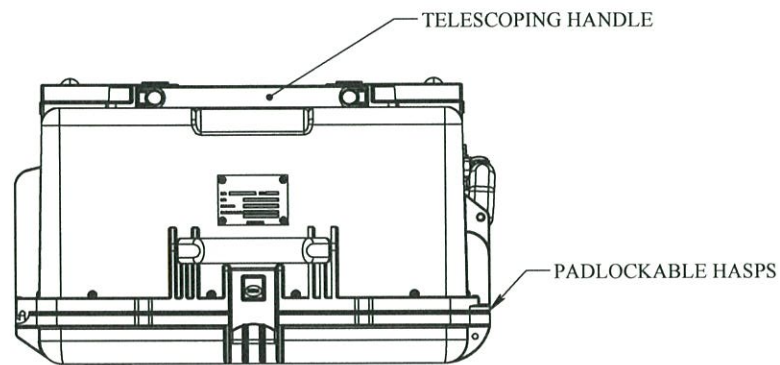


REVISIONS				
REV.	DESCRIPTION	ECO #	DATE	APPROVED
C1	ADDED TABLES FOR SPARE AND REPAIR PARTS KITS	2014-488	11/19/14	<i>CLB</i>



TSC-01180-SK SPARES, KIT, CHART RECORDER, VACUUM, ASSEMBLY WITH TWO ELECTRONIC SINGLE PEN CIRCULAR RECORDERS IN CASE		
PART NUMBER	DESCRIPTION	QTY.
SE-0129-05	CHARTS FOR CHART RECORDER 0-100, 12 HOUR TIME PERIOD (BX/100)	2
SE-1020	FUSE, AGC, 250VAC, 5A	2
SE-1221	PENS, CHART RECORDER, REPLACEMENT, RED, PACK OF 5	1
TSC-01393	POWER CORD, WITH VELCRO STRAP, VACUUM SYSTEM	1
SE-1010	CAP, 1/4" SAE, PLASTIC, W/STRAP	2

TSC-01180-RK REPAIR, KIT, CHART RECORDER, VACUUM, ASSEMBLY WITH TWO ELECTRONIC SINGLE PEN CIRCULAR RECORDERS IN CASE		
PART NUMBER	DESCRIPTION	QTY.
TSC-01180-SK	SPARES, KIT, CHART RECORDER VACUUM ASSEMBLY	1
SE-0890	CHART RECORDER, DIGITAL INPUTS, SINGLE PIN	1
SE-0956	TRANSDUCER, VACUUM, 0 TO -15PSI, SS, 6' CORD	1
SE-0955	GAUGE, VACUUM, 0-30"HG, 3-1/8" DIAL	1
SE-1012	HOSE, 1/4" SAE, 3' YELLOW, KNURLED NUTS	1

SPECIFICATIONS:

- TWO ELECTRONIC 10 INCH CHART RECORDERS DESIGNED TO GRAPH TWO SEPARATE VACUUM SOURCES INDEPENDENT FROM EACH OTHER.
- DIGITAL READOUT TO CORRESPOND WITH PANEL MOUNTED ANALOG GAUGES.
- TWO 4-20 MILLIAMPER VACUUM TRANSDUCERS.
- TWO 1/4" SAE VACUUM PORT CONNECTIONS WITH DUST CAPS.
- 220 VAC FUSED POWER SWITCH WITH POWER CORD ENTRY.
- 6 FT. POWER CORD WITH CEE 7/7 AND C13 CONNECTIONS.
- RUGGED PADLOCKABLE CASE WITH INLINE WHEELS AND TELESCOPING HANDLE.
- ONE BOX OF 100 TWELVE HOUR CHARTS (SE-0129-05).
- DESIGNED TO WORK WITH VACUUM PUMP SYSTEM TSC-01179.
- WEIGHT: 50.0 LBS.

PROPRIETARY AND CONFIDENTIAL:
THE INFORMATION CONTAINED IN THIS DRAWING IS THE SOLE PROPERTY OF THE SUBSEA COMPANY INC. ANY REPRODUCTION IN PART OR AS A WHOLE WITHOUT THE WRITTEN PERMISSION OF THE SUBSEA COMPANY INC IS PROHIBITED.

3RD ANGLE PROJECTION:

INTERPRET GEOMETRIC TOLERANCING PER: ASME Y14.5

WORKMANSHIP STANDARD PER WI 751-001

UNLESS OTHERWISE SPECIFIED: ALL DIMENSIONS ARE IN INCHES

WEIGHT: 50.0 lbs.

	NAME	DATE
DRAWN	<i>CLB</i>	11-19-14
CHECKED	<i>GREG</i>	11-19-14
Q.A.	<i>CLB</i>	11-21-14
MFG APPR.	<i>CLB</i>	11-21-14

SCALE: 1:10

		THE SUBSEA COMPANY INC	
SIZE	B	TITLE	CHART RECORDER, VACUUM, ASSEMBLY WITH TWO ELECTRONIC SINGLE PEN CIRCULAR RECORDERS IN CASE
REV	C1	DWG. NO.	TSC-01180-GA
DO NOT SCALE DRAWING		SHEET 1 OF 1	