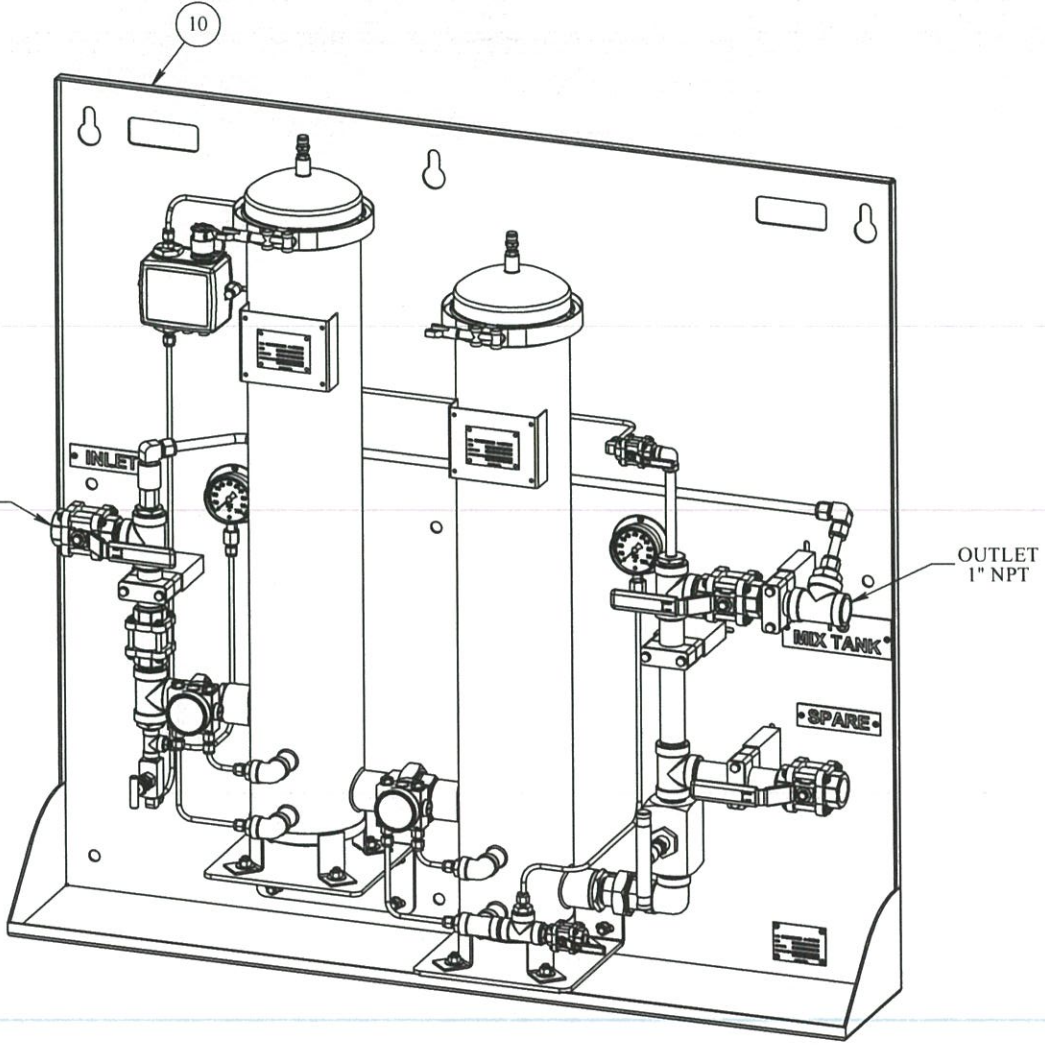
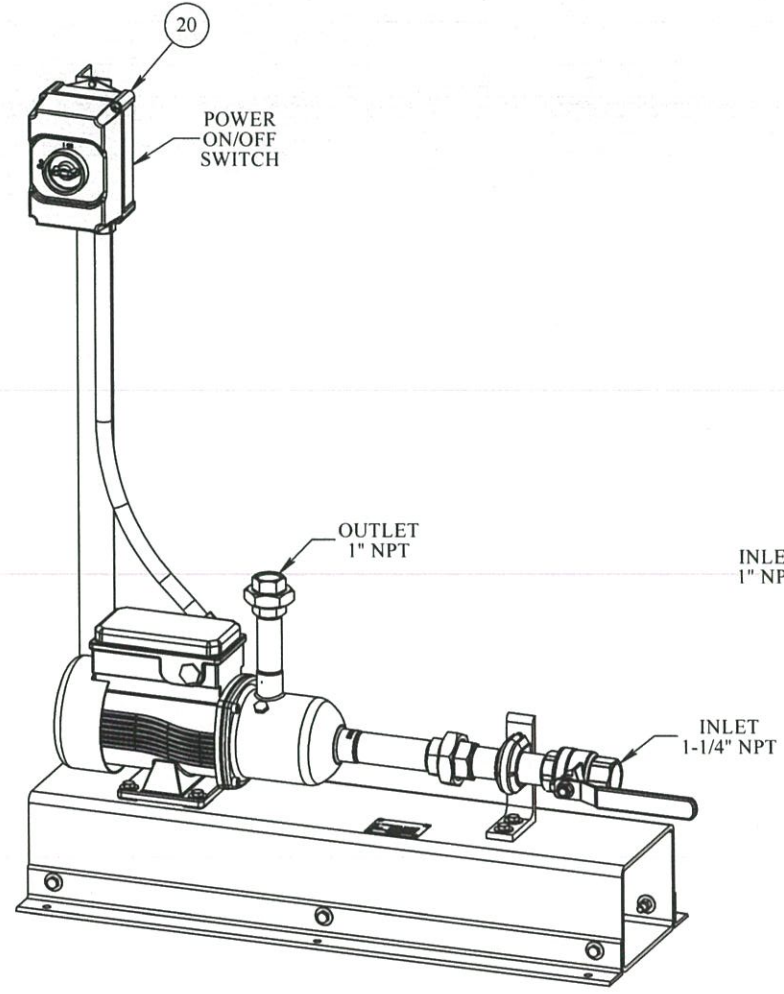


REVISIONS				
REV.	DESCRIPTION	ECO #	DATE	APPROVED
A1	RELEASE	2017-068	10/11/17	<i>AC</i>

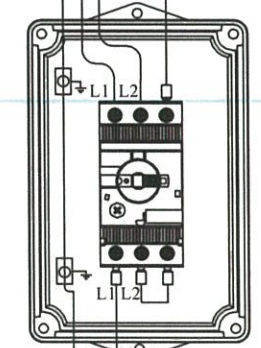
ITEM NO.	PART NUMBER	DESCRIPTION	QTY.
10	TSC-01938-ICM	BOP FILTRATION PANEL FOR CUSTOMER ICM	1
20	TSC-01960	PUMP SKID ASSEMBLY, BOP FLUID FILTRATION	1

PUMP SPECS:

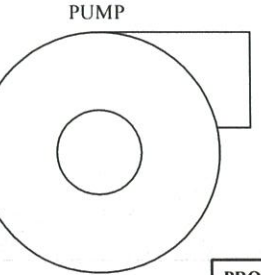
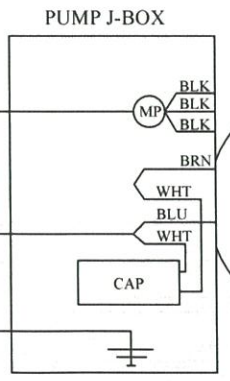
- 1-1/2 HP, 230V, 60 Hz SINGLE PHASE
- 33 GPM
- 1-1/4" NPT INLET x 1" NPT OUTLET
- MANUAL MOTOR STARTER
- INLET ISOLATION VALVES



TO FUSED DISCONNECT J-BOX (CUSTOMER SUPPLIED)



(L1) BLACK, 12 AWG
(L2) WHITE, 12 AWG
(GND) GREEN, 12 AWG



FILTRATION SPECS:

- TWO 4" x 30" STAINLESS FILTER HOUSINGS
- ICM PARTICLE COUNTER (ISO / NAS)
- CHECK VALVE AND ISOLATION VALVES
- GAUGES AND FILTER GAUGES
- THROTTLE VALVE
- 1" NPT INLET AND OUTLETS

PROPRIETARY AND CONFIDENTIAL:
THE INFORMATION CONTAINED IN THIS DRAWING IS THE SOLE PROPERTY OF THE SUBSEA COMPANY INC. ANY REPRODUCTION IN PART OR AS A WHOLE WITHOUT THE WRITTEN PERMISSION OF THE SUBSEA COMPANY INC IS PROHIBITED.

3RD ANGLE PROJECTION:

INTERPRET GEOMETRIC TOLERANCING PER: ASME Y14.5

WORKMANSHIP STANDARD PER WI 751-001

UNLESS OTHERWISE SPECIFIED: ALL DIMENSIONS ARE IN INCHES

	NAME	DATE
DRAWN	<i>Chip</i>	10-11-17
CHECKED	<i>Chip</i>	10-11-17
APPROVED	<i>AC</i>	10-11-17

		THE SUBSEA COMPANY INC	
SIZE	TITLE:	REV	
B	BOP FLUID FILTRATION PANEL WITH ICM & PUMP	A1	
DWG. NO. TSC-01938-ICM-PUMP-GA			SHEET 1 OF 1