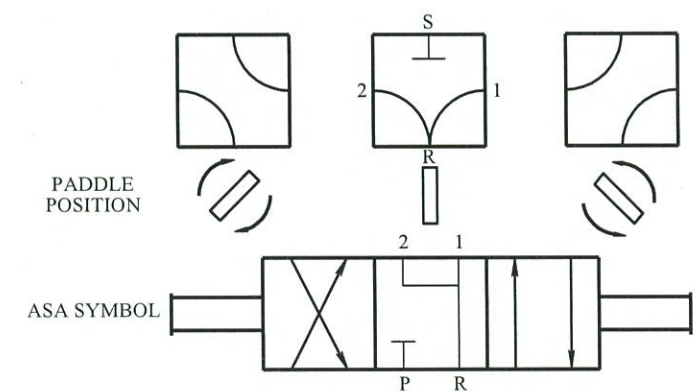
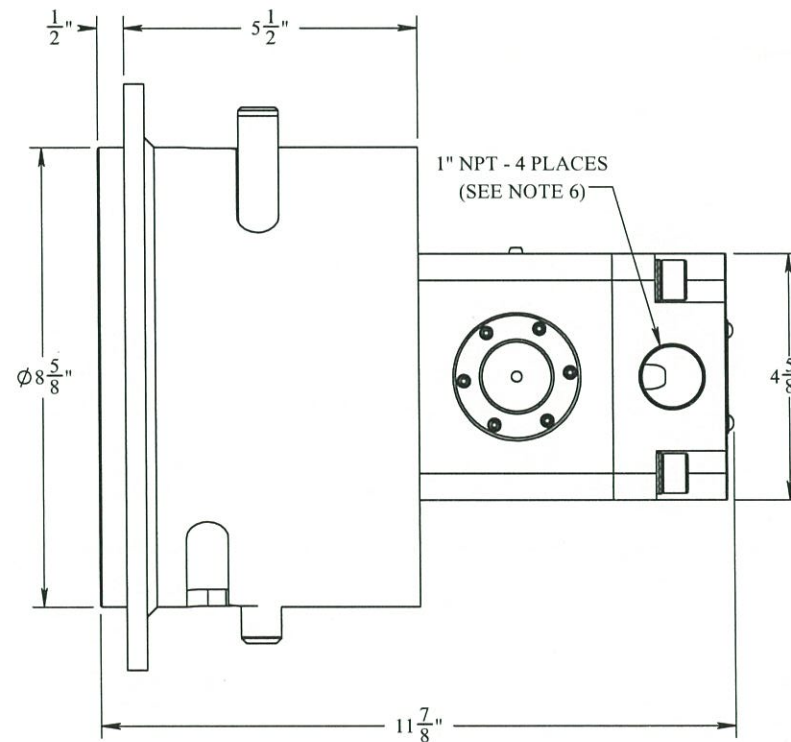
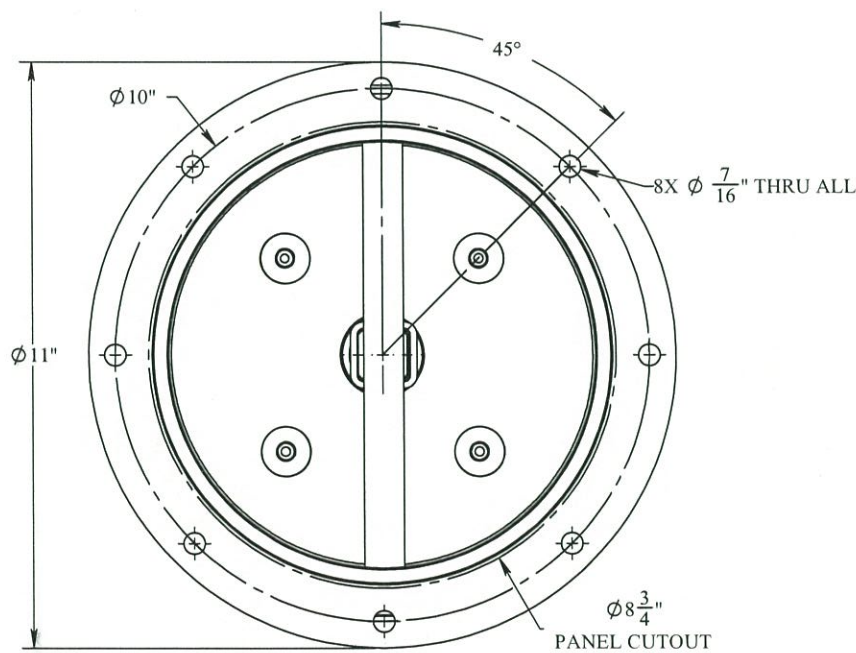
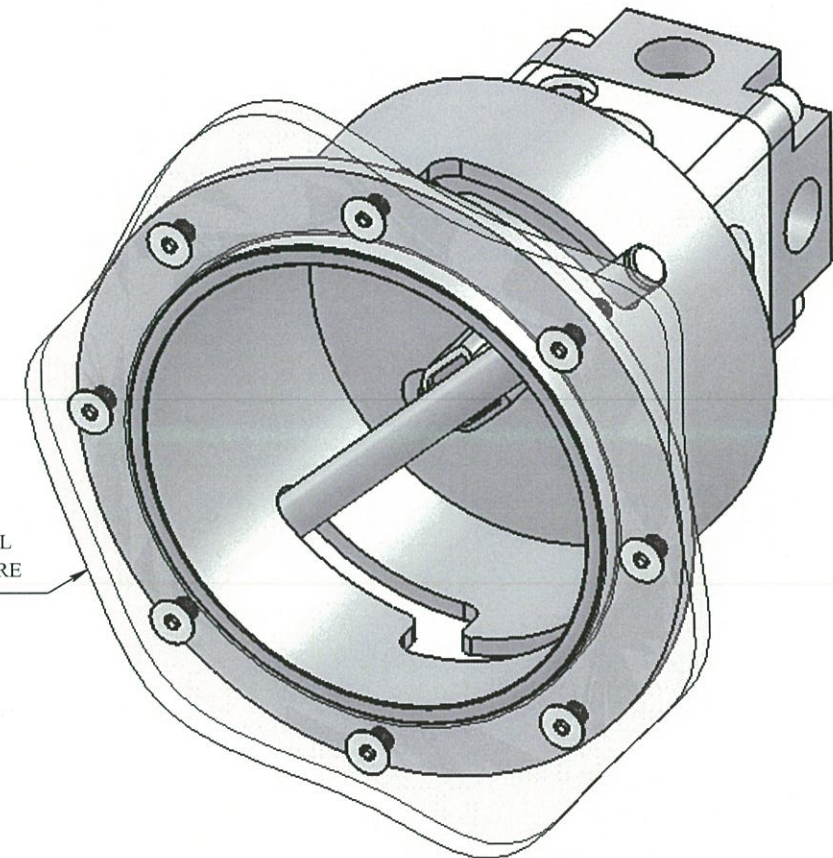
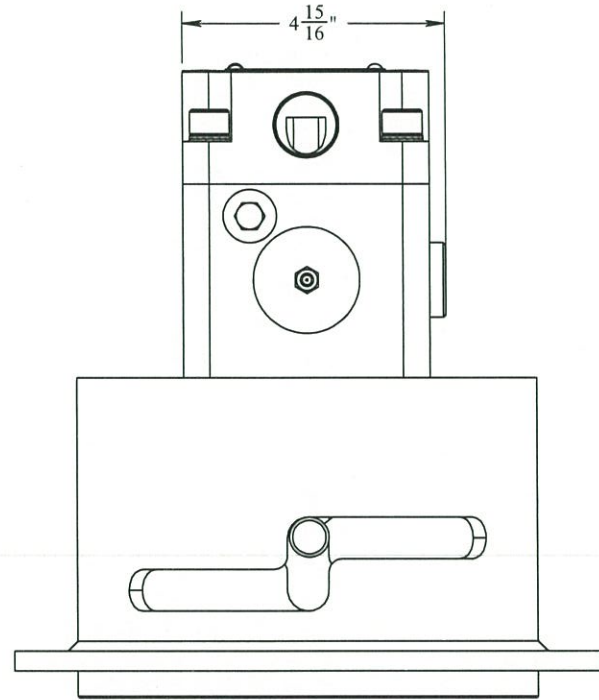


REVISIONS				
REV.	DESCRIPTION	ECO #	DATE	APPROVED
A1	RELEASE	2017-015	1/26/17	CMB



- NOTES:**
- 5,000 PSI WORKING PRESSURE
 - 1" NPT CONNECTIONS
 - 3-POSITION, 4 WAY MANIPULATOR VALVE
 - SUBSEA SERVICE AND PRESSURE COMPENSATION
 - 316 STAINLESS STEEL HOUSING WITH NBR SEALS
 - PORTS LABELED ON BACKSIDE OF VALVE
 - SUITABLE FOR WATER BASED FLUIDS OR OIL
 - CALCULATED $C_v = 3.2$
 - 2 DROPS PER MIN. ACCEPTABLE DRIP RATE WITH OIL
 - SUBSEA ROV BUCKET MOUNT, W / INTERLOCK "T" HANDLE

PROPRIETARY AND CONFIDENTIAL:
 THE INFORMATION CONTAINED IN THIS DRAWING IS THE SOLE PROPERTY OF THE SUBSEA COMPANY INC. ANY REPRODUCTION IN PART OR AS A WHOLE WITHOUT THE WRITTEN PERMISSION OF THE SUBSEA COMPANY INC IS PROHIBITED.

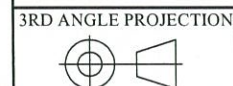
WORKMANSHIP STANDARD PER WI 751-001

	NAME	DATE
DRAWN	Corey	1-27-17
CHECKED	SREG	1-27-17
APPROVED	Row	1-27-17



UNLESS OTHERWISE SPECIFIED:
 ALL DIMENSIONS ARE IN INCHES

SIZE	TITLE:	REV
B	VALVE/BUCKET ASSEMBLY, MANIPULATOR, 1" NPT	A1



INTERPRET GEOMETRIC TOLERANCING PER: ASME Y14.5

WEIGHT: LBS.

DWG. NO. TSC-01969-GA

SHEET 1 OF 1