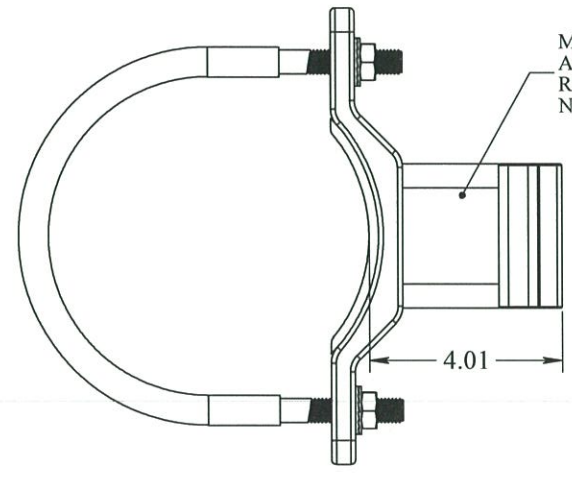


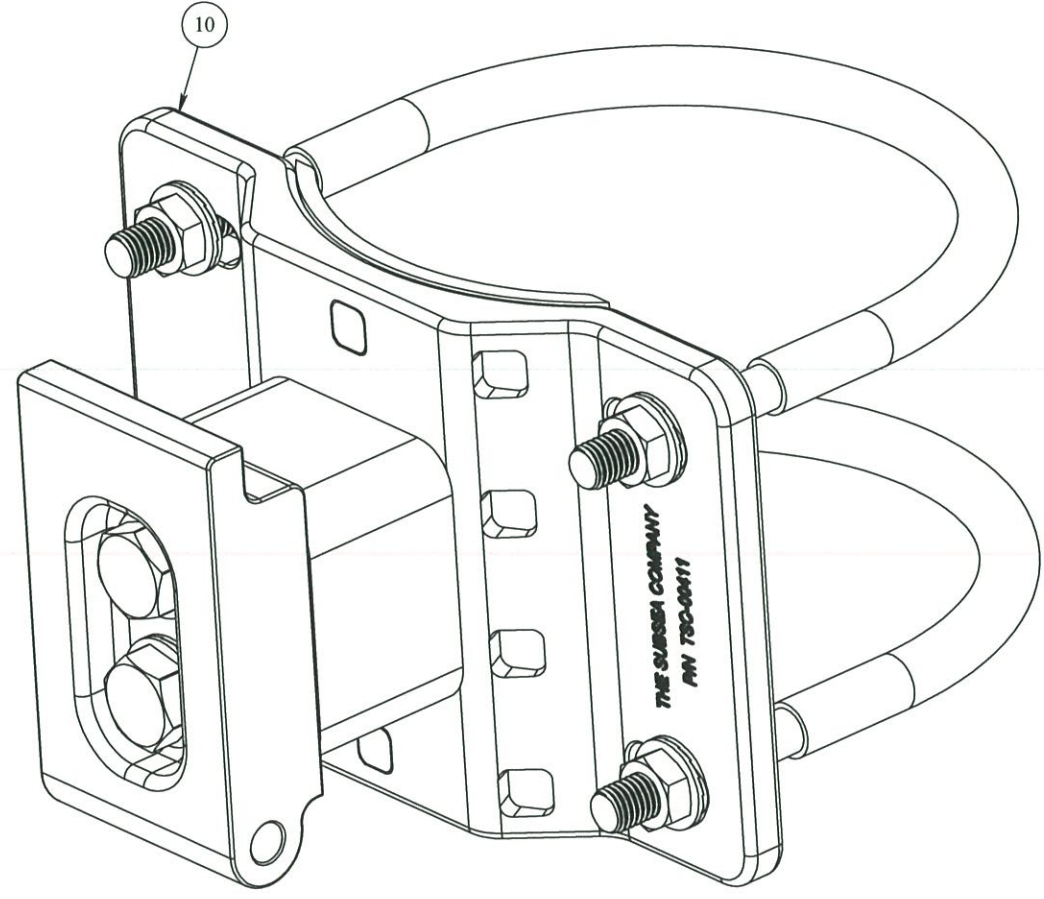
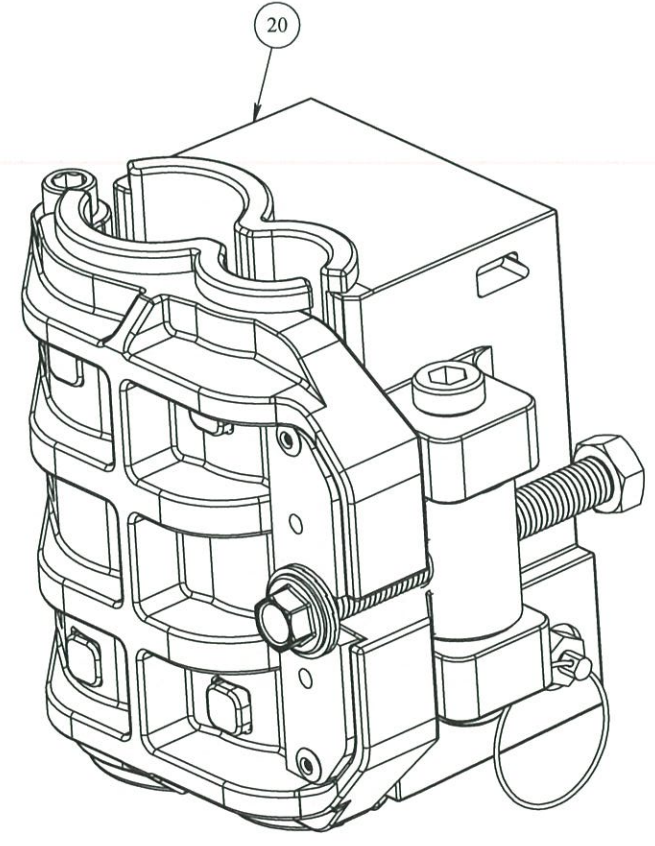
8 7 6 5 4 3 2 1

REVISIONS				
REV.	DESCRIPTION	ECO #	DATE	APPROVED
A1	RELEASE	2016-088	11/17/2016	GNB

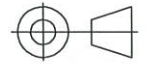
ITEM NO.	PART NUMBER	DESCRIPTION	QTY.
10	TSC-00321-5	MUX CLAMP BASE ASSEMBLY, 4.01" LENGTH	1
20	TSC-MC-11-BOM-02	MUX CLAMP, TYPE XI, HS POLYMER, 1.1" MUX CABLE X 1.72" HOT LINE (NO GRIT)	1



MUX CLAMP BASE ASSEMBLIES ARE MEASURED FROM THE INNER RUBBER TO THE OUTSIDE OF THE NOSE.



PROPRIETARY AND CONFIDENTIAL:
 THE INFORMATION CONTAINED IN THIS DRAWING IS THE SOLE PROPERTY OF THE SUBSEA COMPANY INC. ANY REPRODUCTION IN PART OR AS A WHOLE WITHOUT THE WRITTEN PERMISSION OF THE SUBSEA COMPANY INC IS PROHIBITED.

3RD ANGLE PROJECTION:



INTERPRET GEOMETRIC TOLERANCING PER: ASME Y14.5

WORKMANSHIP STANDARD PER WI 751-001

UNLESS OTHERWISE SPECIFIED: ALL DIMENSIONS ARE IN INCHES

WEIGHT: 24.13LBS.

	NAME	DATE
DRAWN	Greth	11-17-16
CHECKED		
Q.A.		
MFG APPR.		

		THE SUBSEA COMPANY INC	
SIZE B	TITLE: MUX CLAMP W/BASE ASSEMBLY, 4.01" LENGTH	REV A1	
DWG. NO. TSC-00633-5		SHEET 1 OF 1	

8 7 6 5 4 3 2 1