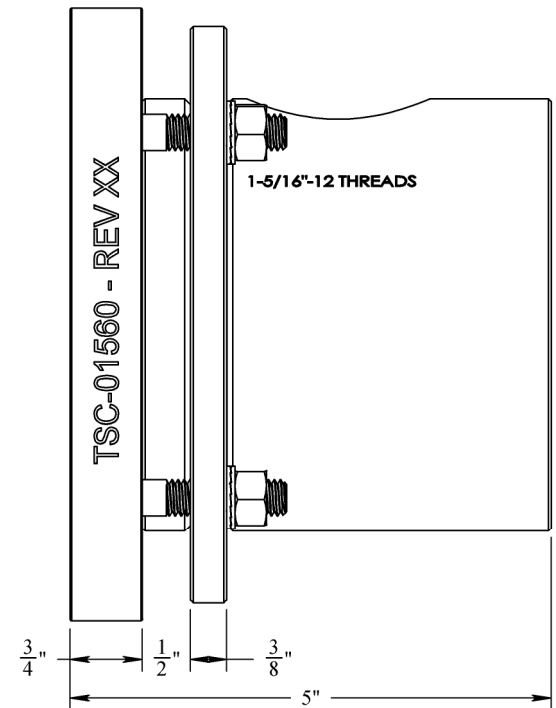
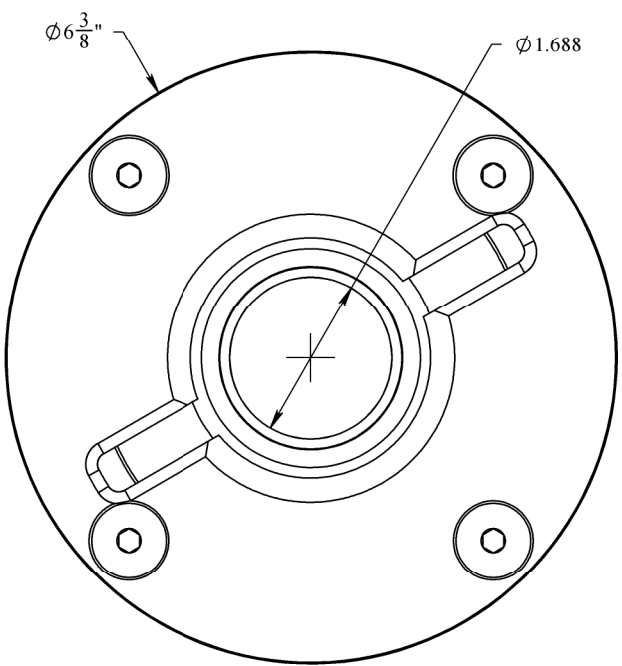
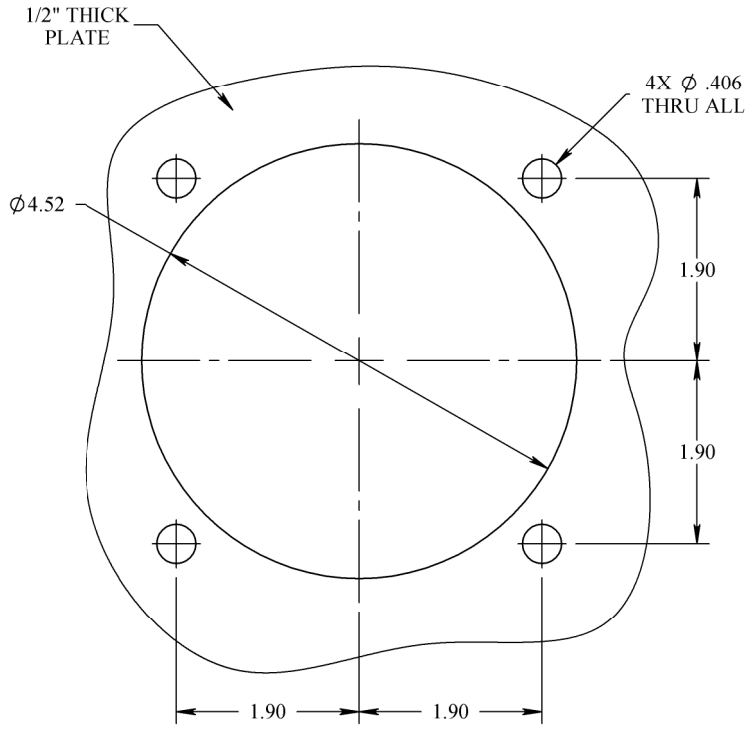
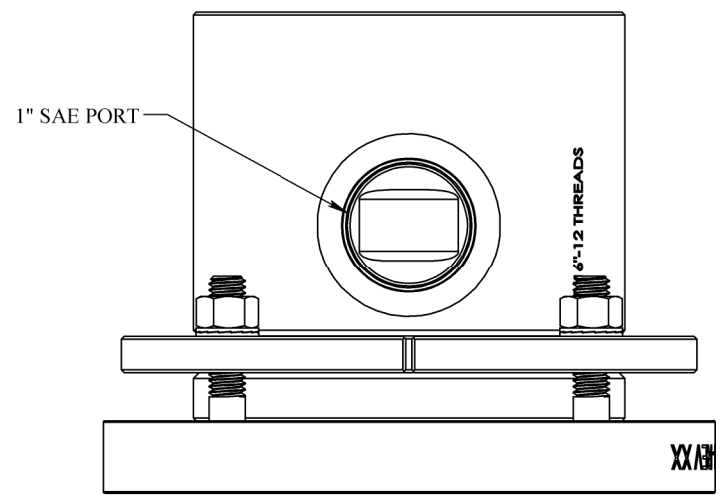


REVISIONS				
REV.	DESCRIPTION	ECO #	DATE	APPROVED
A1	RELEASE		6/17/2019	



- NOTES:
- MATERIAL OF CONSTRUCTION:
 - RECEPTACLE IS NITRONIC 60
 - COLLET RING IS 316 STAINLESS STEEL
 - HARDWARE IS 316 STAINLESS STEEL
 - J-LOCK RING IS 316 STAINLESS STEEL
 - DESIGNED TO API 17H TYPE B STANDARDS
 - 1" SAE PORT RATED AT 5K PSI.
 - WEIGHT: 22 LBS.
 - DESIGNED FOR HIGH FLOW

PROPRIETARY AND CONFIDENTIAL: THE INFORMATION CONTAINED IN THIS DRAWING IS THE SOLE PROPERTY OF THE SUBSEA COMPANY INC. ANY REPRODUCTION IN PART OR AS A WHOLE WITHOUT THE WRITTEN PERMISSION OF THE SUBSEA COMPANY INC IS PROHIBITED.	WORKMANSHIP STANDARD PER W1 751-001	NAME DATE	THE SUBSEA COMPANY INC	
	UNLESS OTHERWISE SPECIFIED: ALL DIMENSIONS ARE IN INCHES	DRAWN CHECKED APPROVED		SIZE B
3RD ANGLE PROJECTION:	INTERPRET GEOMETRIC TOLERANCING PER: ASME Y14.5	WEIGHT: 22 LBS.	DWG. NO. TSC-01194-J-GA	SHEET 1 OF 1