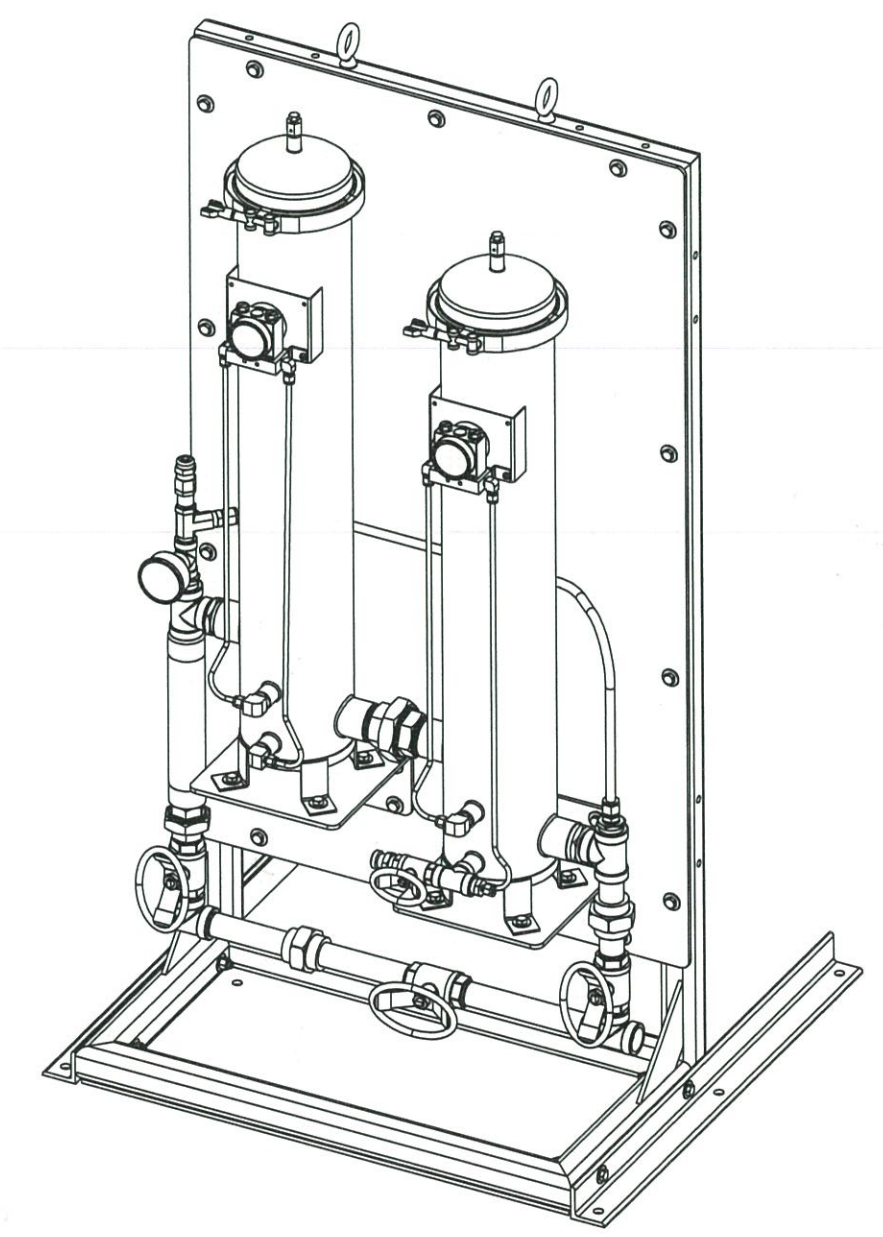
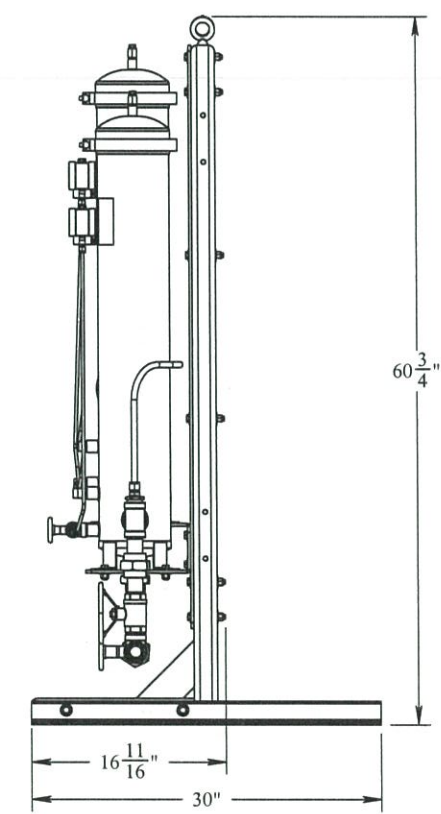
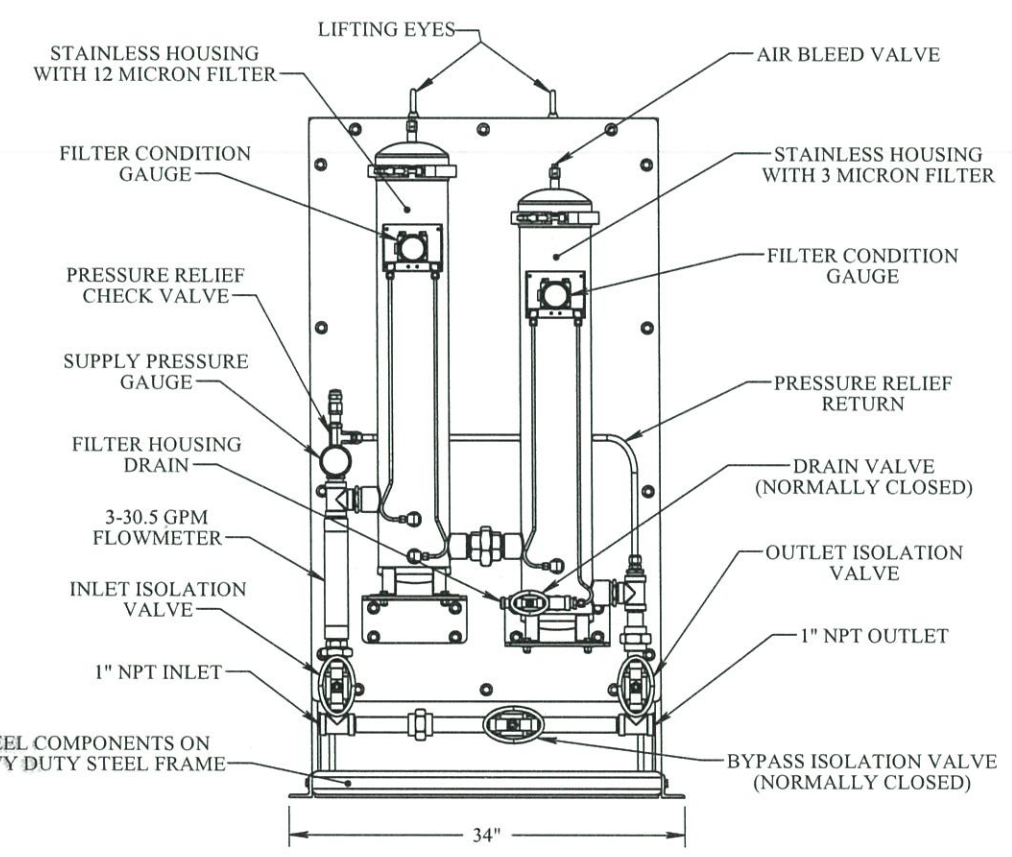
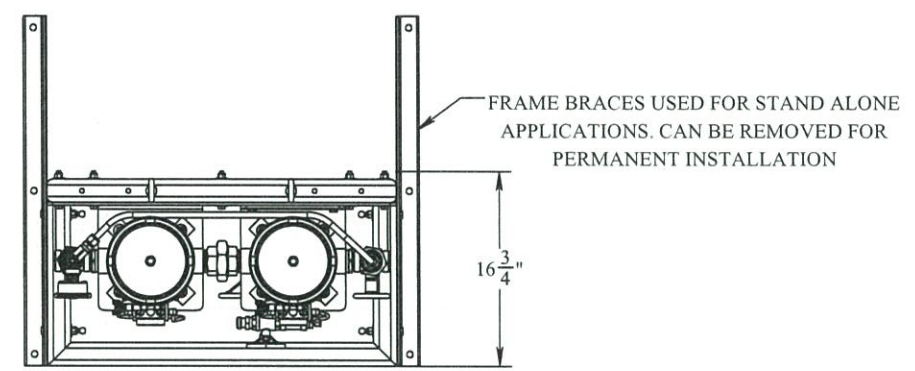


REVISIONS				
REV.	DESCRIPTION	ECO #	DATE	APPROVED
A1	RELEASE	2017-060	7/05/17	CMB

TSC-02352-SK SPARES KIT, FLUID FILTRATION PANEL, FILTERS ONLY		
PART NUMBER	DESCRIPTION	QTY
SE-1847	FILTER, 12 MICRON, 4-1/2"X30", MELT BLOWN POLYPROPYLENE	1
SE-1846	FILTER, 3 MICRON, 4-1/2"X30", MELT BLOWN POLYPROPYLENE	1



FILTRATION SKID FEATURES

- DUAL FILTER HOUSINGS
- 3 - 30.5 GPM FLOWMETER
- 12 MICRON PRE-FILTER, 3 MICRON POST-FILTER
- FILTER CONDITION GAUGES
- SUPPLY PRESSURE GAUGE
- OVERPRESSURE BYPASS CHECK VALVE
- FILTRATION BYPASS VALVES FOR ONLINE MAINTNANCE
- 1" NPT INLET AND OUTLET CONNECTIONS
- 100 PSI MAXIMUM WORKING PRESSURE
- PAINTED HEAVY DUTY FRAME WITH STAINLESS HYDRAULIC COMPONENTS

PROPRIETARY AND CONFIDENTIAL:
 THE INFORMATION CONTAINED IN THIS DRAWING IS THE SOLE PROPERTY OF THE SUBSEA COMPANY INC. ANY REPRODUCTION IN PART OR AS A WHOLE WITHOUT THE WRITTEN PERMISSION OF THE SUBSEA COMPANY INC IS PROHIBITED.

3RD ANGLE PROJECTION

INTERPRET GEOMETRIC TOLERANCING PER: ASME Y14.5

WORKMANSHIP STANDARD PER WI 751-001

UNLESS OTHERWISE SPECIFIED: ALL DIMENSIONS ARE IN INCHES

WEIGHT: 372.29 LBS.

	NAME	DATE
DRAWN	Copen	7-6-17
CHECKED	JK	7-6-17
APPROVED	Kevin	7-6-17

THE SUBSEA COMPANY THE SUBSEA COMPANY INC

SIZE: **B** TITLE: FLUID FILTRATION PANEL, FILTERS ONLY REV: **A1**

DWG. NO. TSC-02352-GA SHEET 1 OF 1