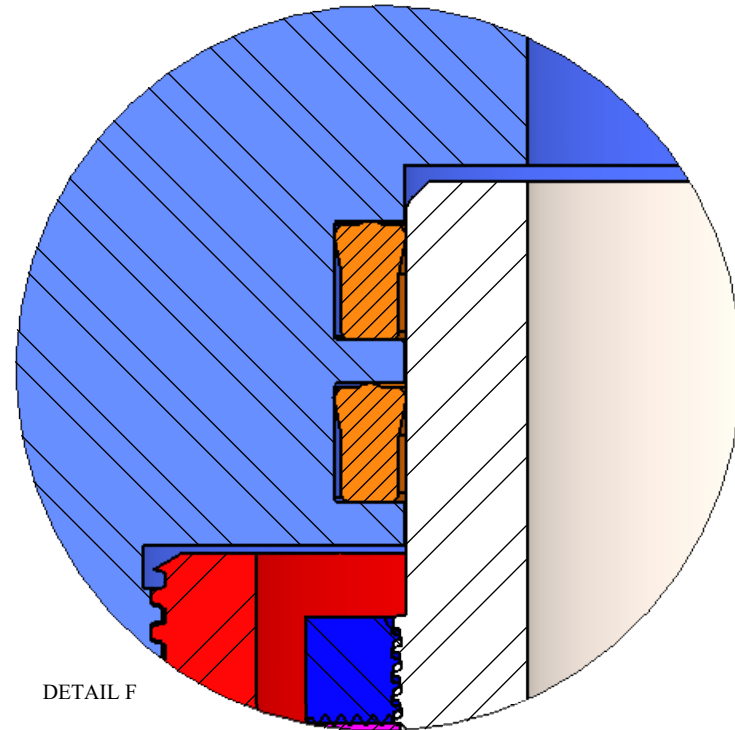


| REVISIONS | | | | |
|-----------|-------------|----------|----------|----------|
| REV. | DESCRIPTION | ECO # | DATE | APPROVED |
| A1 | RELEASE | 2024-108 | 9/9/2024 | |

| ITEM NO. | PART NUMBER | DESCRIPTION | QTY. |
|----------|--------------|--|------|
| 10 | TSC-02946 | BODY, SWIVEL | 1 |
| 20 | TSC-02945 | MANDREL, SWIVEL | 1 |
| 30 | TSC-02944 | END CAP, SWIVEL | 1 |
| 40 | TSC-02469 | LOCKING TAB, SWIVEL, LC, 6" 6GR52 HUBS, 2K MWP | 2 |
| 50 | TSC-02468 | LOCKNUT, BEARING RACEWAYS, SWIVEL, LC, 6" 6GR52 HUBS, 2K MWP | 1 |
| 60 | TSC-02452 | BEARING PLUG, SWIVEL, LC, 6" 6GR52 HUBS, 2K MWP | 2 |
| 70 | TSC-02451 | BEARING SLEEVE, SWIVEL, LC, 6" 6GR52 HUBS, 2K MWP | 1 |
| 80 | TSC-02448 | MANDREL, SWIVEL, LC, 6" 6GR52 HUBS, 2K MWP | 1 |
| 90 | SE-2027 | O-RING, 2-171 | 1 |
| 100 | SE-2022 | O-RING, 2-034, NITRILE | 2 |
| 110 | SE-2012 | T-SEAL, TR0-57 | 1 |
| 120 | SE-2011 | POLYPAK TYPE-B, 4.5" ID X 5" OD X .618" TALL | 2 |
| 130 | SE-1983 | PLUG, INTERNAL HEX, 1/8" NPT, 316 SS | 3 |
| 140 | SE-1976-9-16 | BALL BEARING, 9/16" DIAMETER | 216 |
| 150 | SE-0951 | CHECK VALVE, INSERT, 5/16-24 THREAD | 1 |
| 160 | FN-00329 | WASHER, FLAT, 1/4", BRONZE | 4 |
| 170 | FN-00327 | SCREW, SET, CUP POINT, 5/16"-18 x .375" LENGTH, 316 SS | 2 |
| 180 | FN-00325 | WASHER, LOCK, HI COLLAR, 1/4", 316SS | 4 |
| 190 | FN-00324 | SCREW, SOCKET HEAD CAP, LOW PROFILE, 1/4"-20 x 1/2" LONG, 316 SS | 8 |

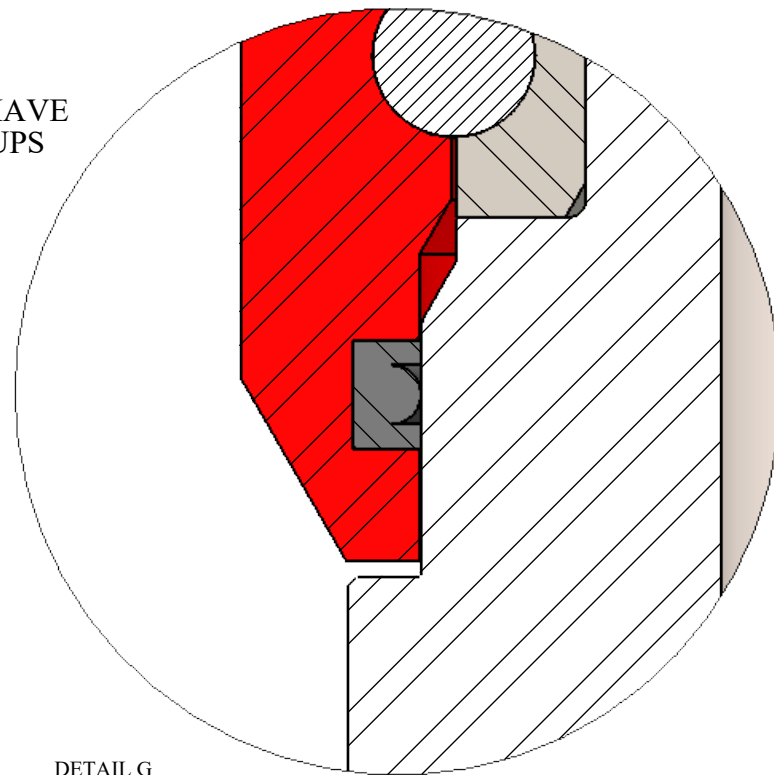
| | | | |
|--|---|---------------------------------|--|
| PROPRIETARY AND CONFIDENTIAL: THE INFORMATION CONTAINED IN THIS DRAWING IS THE SOLE PROPERTY OF THE SUBSEA COMPANY INC. ANY REPRODUCTION IN PART OR AS A WHOLE WITHOUT THE WRITTEN PERMISSION OF THE SUBSEA COMPANY INC IS PROHIBITED. | WORKMANSHIP STANDARD PER WI 751-001 | NAME: TLC DATE: 9/9/2024 | THE SUBSEA COMPANY INC |
| | UNLESS OTHERWISE SPECIFIED: ALL DIMENSIONS ARE IN INCHES | CHECKED: AC DATE: 9/9/2024 | |
| | 3RD ANGLE PROJECTION: | APPROVED: TAC DATE: 9/9/2024 | |
| INTERPRET GEOMETRIC TOLERANCING PER: ASME Y14.5 | WEIGHT: 356.38LBS. | SIZE: B | TITLE: SWIVEL, LC, 6" 6GR52 HUBS, 2K MWP |
| | | | REV: A1 |
| | | | DWG. NO. TSC-02935 |
| | | | SHEET 1 OF 2 |

ORIENT SEALS AS INDICATED

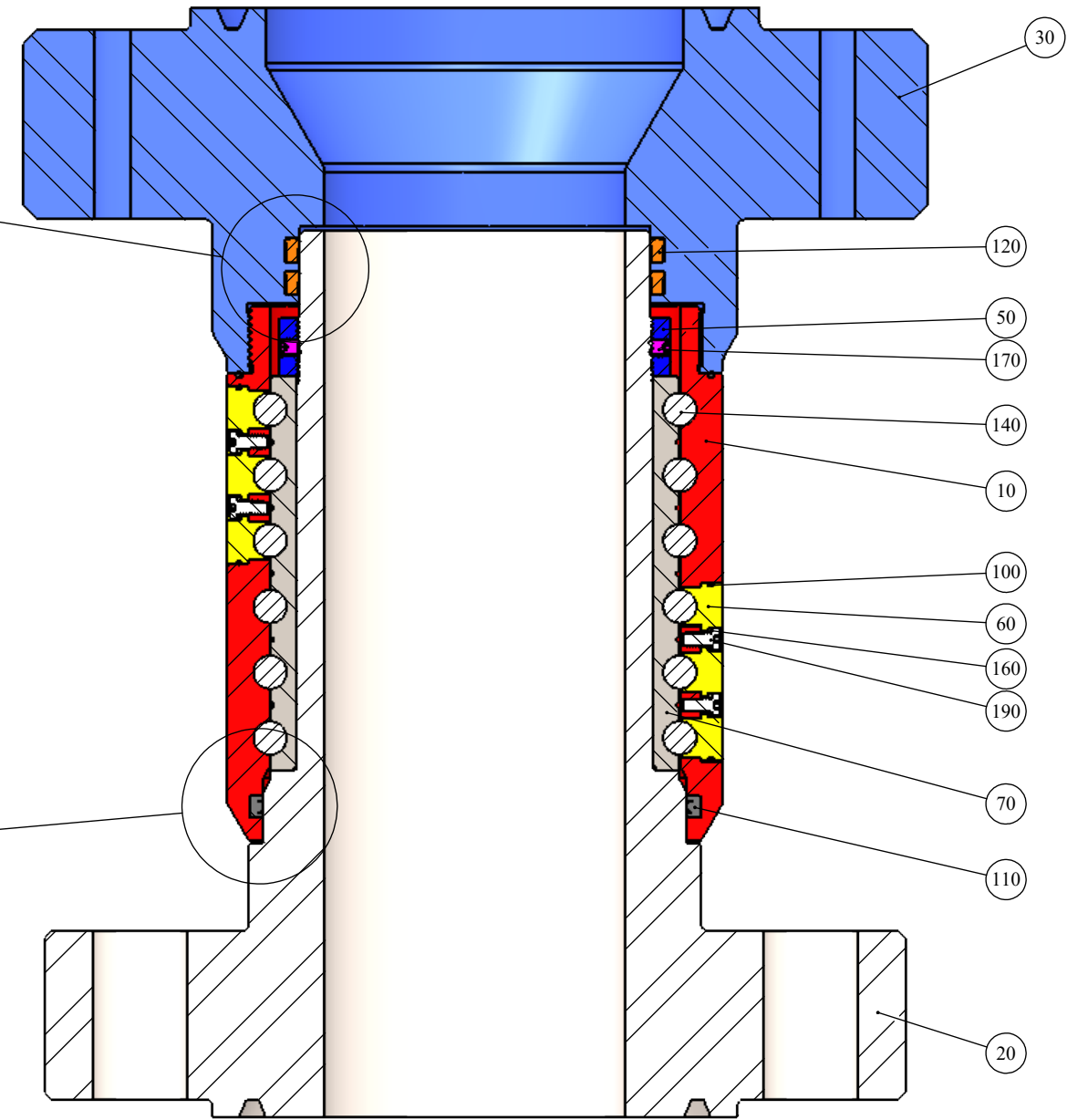


DETAIL F

TR SEAL SHOULD HAVE NO PLASTIC BACKUPS

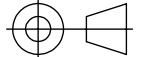


DETAIL G



SECTION E-E

PROPRIETARY AND CONFIDENTIAL:
 THE INFORMATION CONTAINED IN THIS DRAWING IS THE SOLE PROPERTY OF THE SUBSEA COMPANY INC. ANY REPRODUCTION IN PART OR AS A WHOLE WITHOUT THE WRITTEN PERMISSION OF THE SUBSEA COMPANY INC IS PROHIBITED.

3RD ANGLE PROJECTION:



INTERPRET GEOMETRIC TOLERANCING PER: ASME Y14.5

WORKMANSHIP STANDARD PER WI 751-001

UNLESS OTHERWISE SPECIFIED:
 ALL DIMENSIONS ARE IN INCHES

WEIGHT: 356.38LBS.

| | NAME | DATE |
|----------|------|----------|
| DRAWN | TLC | 9/9/2024 |
| CHECKED | AC | 9/9/2024 |
| APPROVED | TAC | 9/9/2024 |

| | | |
|---|-----------------------------------|--------------|
|  THE SUBSEA COMPANY INC | | REV |
| | | A1 |
| SIZE | TITLE: | |
| B | SWIVEL, LC, 6" 6GR52 HUBS, 2K MWP | |
| DWG. NO. | TSC-02935 | SHEET 2 OF 2 |