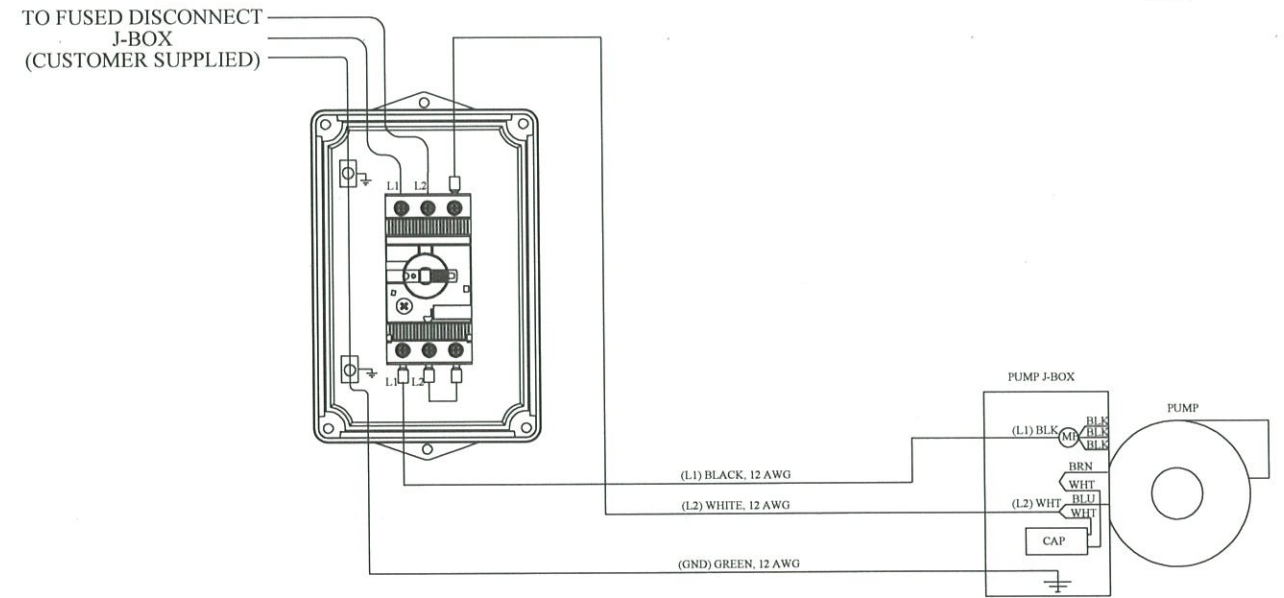
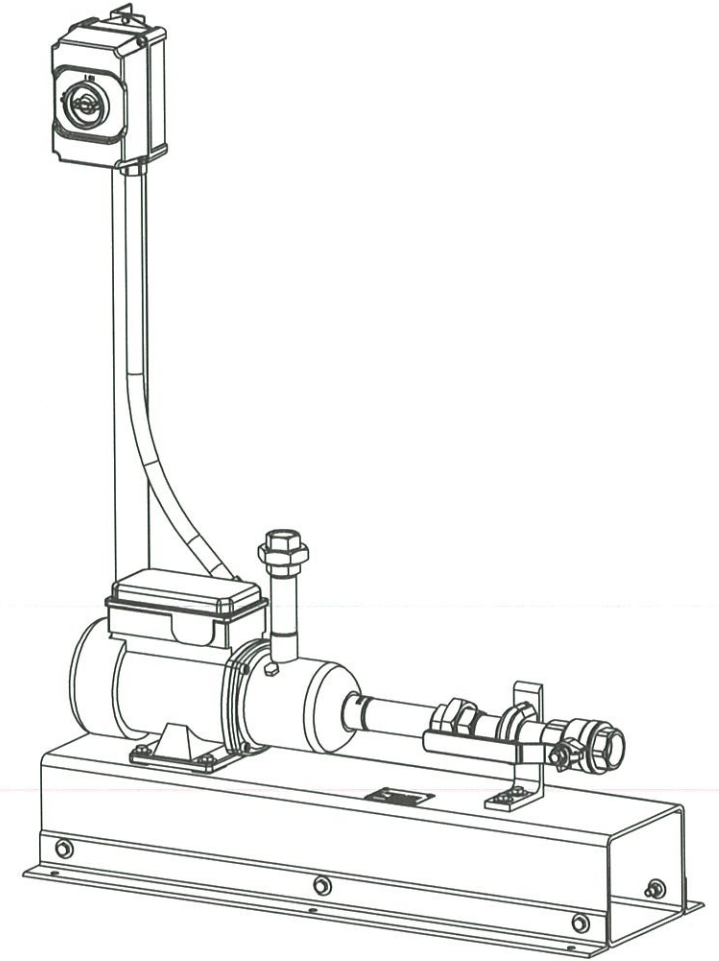
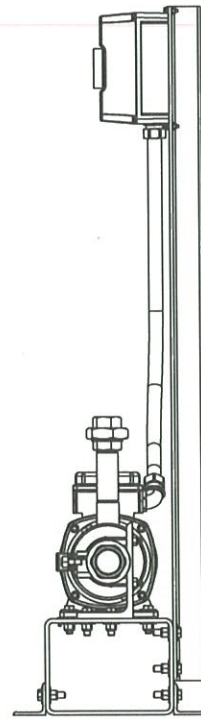
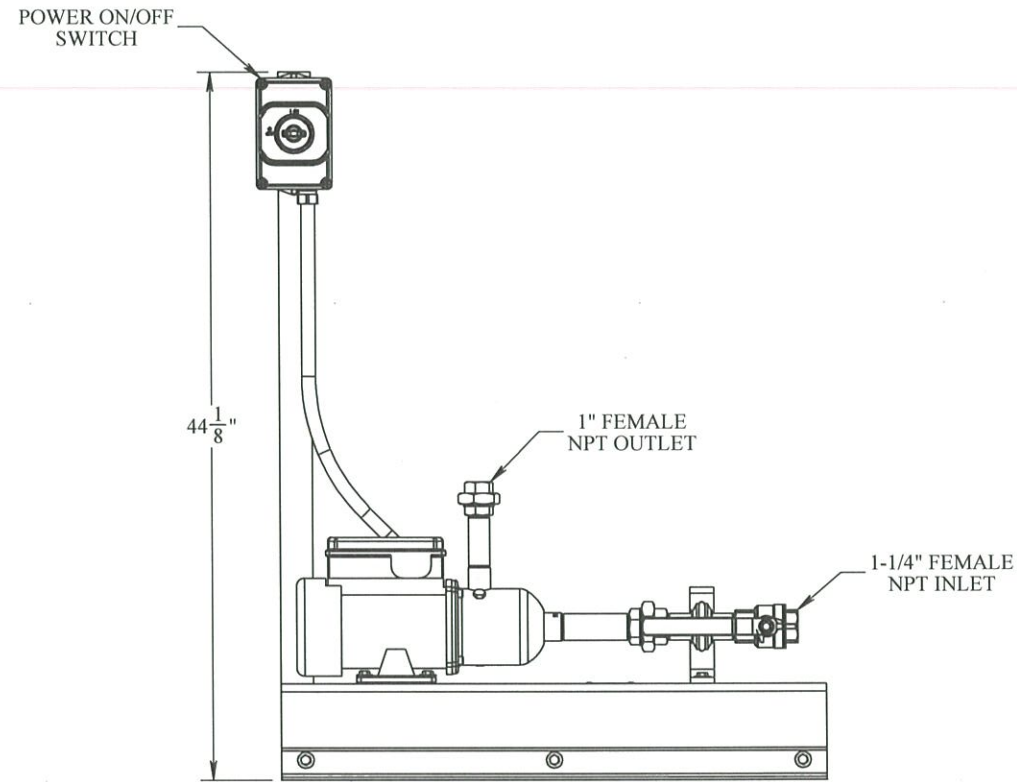
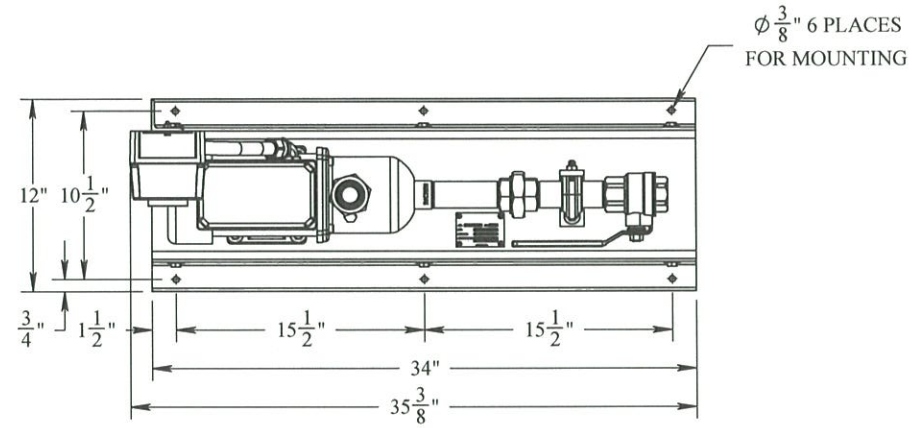


REVISIONS				
REV.	DESCRIPTION	ECO #	DATE	APPROVED
A1	RELEASE	2017-003	1/9/2017	CNB



- NOTES:
1. PUMP SKID TO BE USED WITH THE SUBSEA COMPANY BOP FLUID CONDITIONING UNIT.
  2. PUMP: MULTI-STAGE CENTRIFUGAL PUMP, 316 SS, 1-1/2 HP, 230V, 60Hz, SINGLE PHASE, 33 GPM.
  3. 1-1/4" NPT INLET / 1" NPT OUTLET.
  4. FRAME IS CONSTRUCTED FROM CARBON STEEL - PAINTED.

<b>PROPRIETARY AND CONFIDENTIAL:</b> THE INFORMATION CONTAINED IN THIS DRAWING IS THE SOLE PROPERTY OF THE SUBSEA COMPANY INC. ANY REPRODUCTION IN PART OR AS A WHOLE WITHOUT THE WRITTEN PERMISSION OF THE SUBSEA COMPANY INC IS PROHIBITED.	WORKMANSHIP STANDARD PER WI 751-001	NAME GREG	DATE 1-9-17	THE SUBSEA COMPANY INC
	UNLESS OTHERWISE SPECIFIED: ALL DIMENSIONS ARE IN INCHES	CHECKED HC	DATE 1-9-17	
3RD ANGLE PROJECTION: INTERPRET GEOMETRIC TOLERANCING PER: ASME Y14.5	WEIGHT: 115 LBS.	SIZE <b>B</b>	TITLE: PUMP SKID ASSEMBLY, BOP FLUID FILTRATION	REV <b>A1</b>
			DWG. NO. TSC-01960-GA	SHEET 1 OF 1