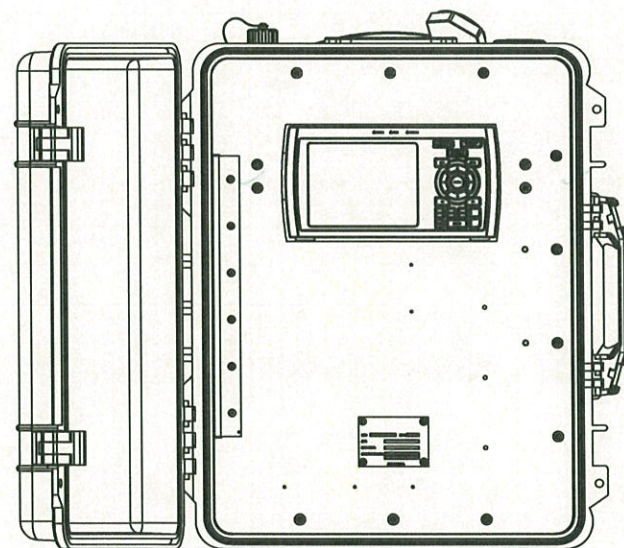
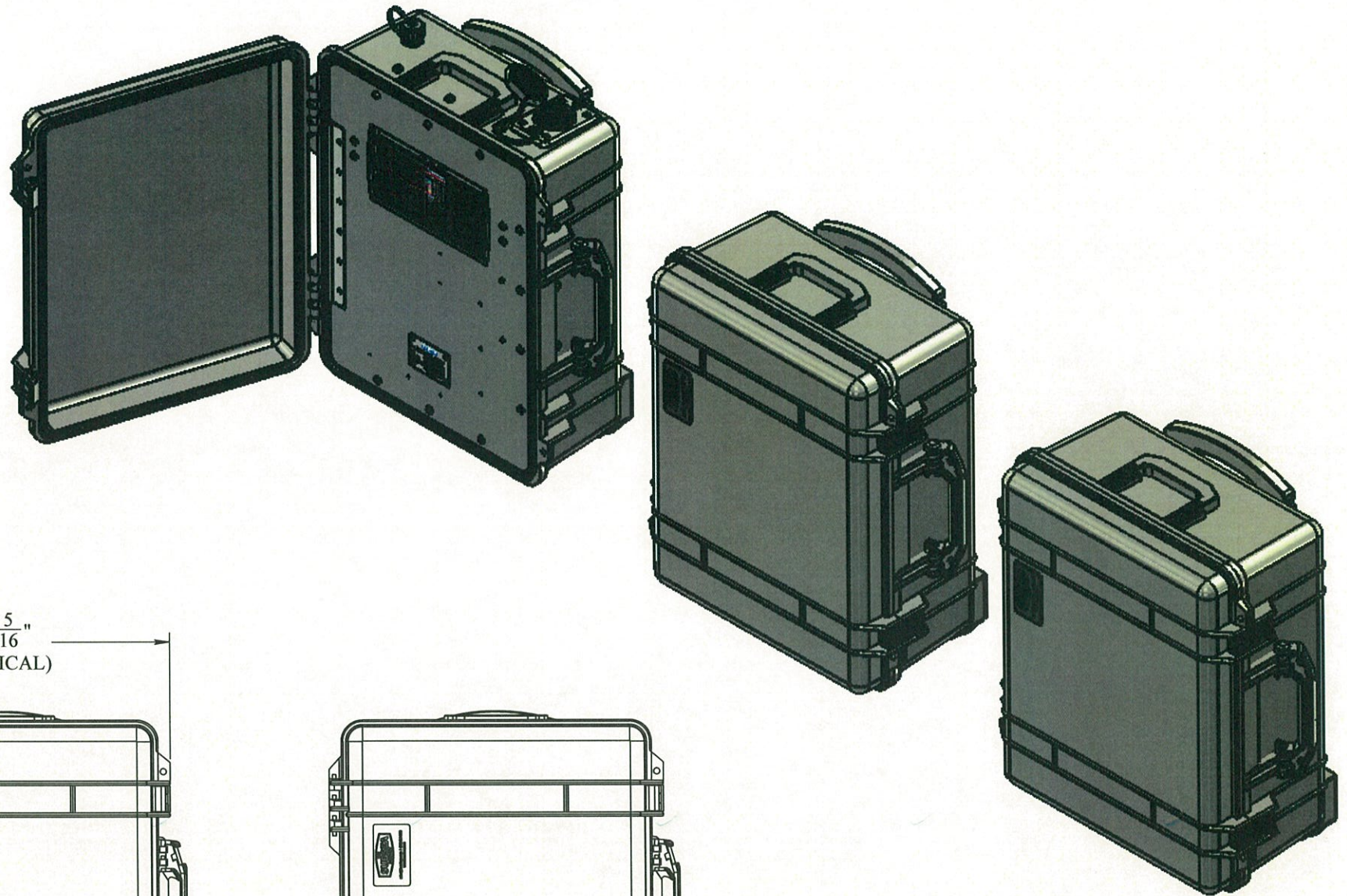
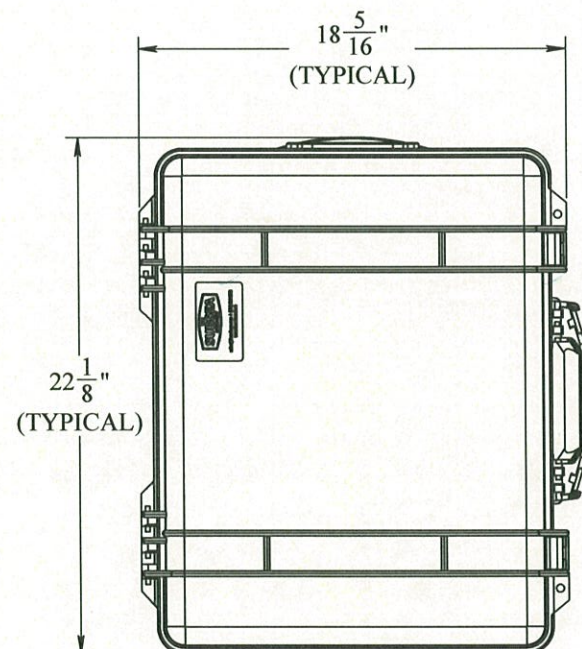


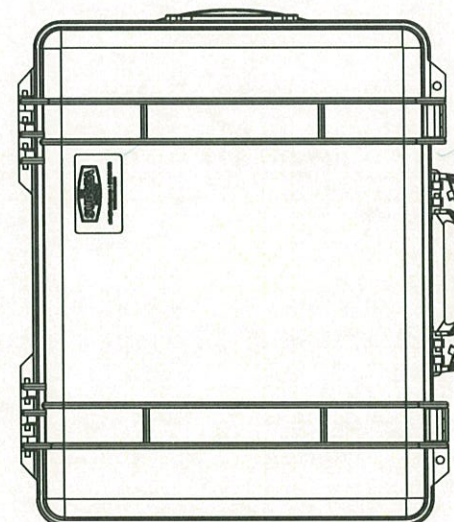
REVISIONS				
REV.	DESCRIPTION	ECO #	DATE	APPROVED
A1	RELEASE	2012-196	5/15/2012	
A2	CHANGED PART NUMBER OF POWER CABLE	2015-080	5/5/2015	GNB



TSC-00287
DATA LOGGER, 8-PORT, DATA BOX

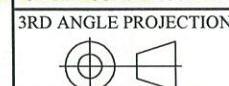


TSC-00288
DATA LOGGER, 8-PORT, CABLE BOX



TSC-00288
DATA LOGGER, 8-PORT, CABLE BOX

PROPRIETARY AND CONFIDENTIAL:
THE INFORMATION CONTAINED IN THIS DRAWING IS THE SOLE PROPERTY OF THE SUBSEA COMPANY INC. ANY REPRODUCTION IN PART OR AS A WHOLE WITHOUT THE WRITTEN PERMISSION OF THE SUBSEA COMPANY INC IS PROHIBITED.



INTERPRET GEOMETRIC TOLERANCING PER: ASME Y14.5

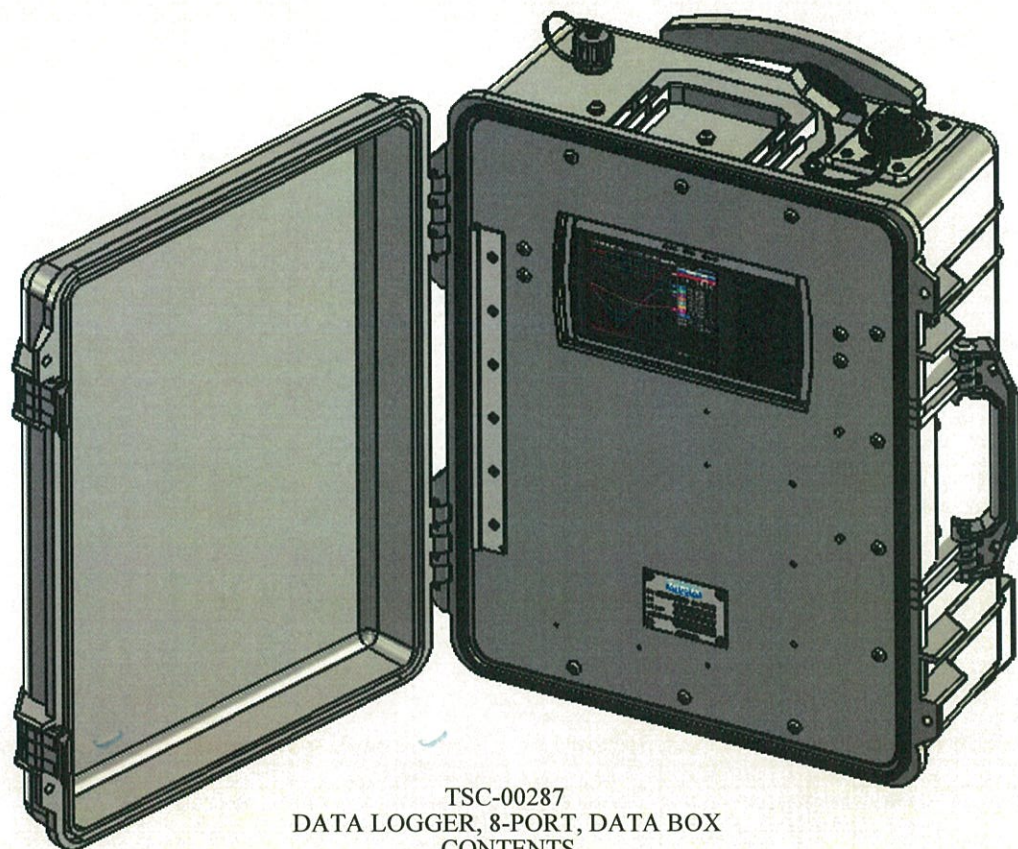
WORKMANSHIP STANDARD PER WI 751-001

UNLESS OTHERWISE SPECIFIED: ALL DIMENSIONS ARE IN INCHES

WEIGHT: 86.35 lbs.

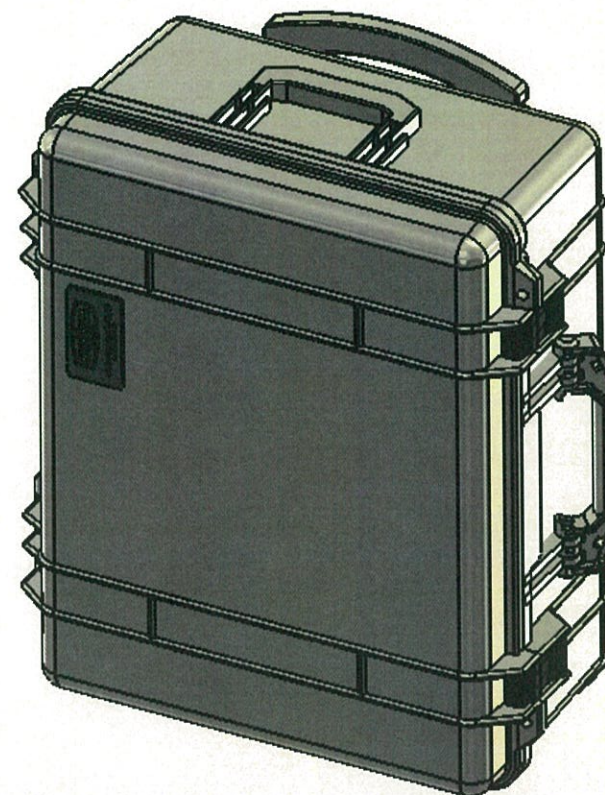
	NAME	DATE
DRAWN	GREG	5-5-15
CHECKED	Colin	5-6-15
Q.A.	Rnl	5-6-15
MFG./SALES		

		THE SUBSEA COMPANY INC	
SIZE	TITLE:	REV	
B	SIGNATURE TESTER, SURFACE, 8-PORT, TYPE III	A2	
DWG. NO. TSC-ST-08-BOM-GA		SHEET 1 OF 2	



TSC-00287
DATA LOGGER, 8-PORT, DATA BOX
CONTENTS

DESCRIPTION	QTY
CD - SYSTEM SOFTWARE	1



TSC-00288
DATA LOGGER, 8-PORT, CABLE BOX
CONTENTS

BOX 1		
PART NUMBER	DESCRIPTION	QTY
SE-0319	HOSE, HYDRAULIC, 10K, 1/4", JIC FEMALE, 50'	4
SE-0636	CABLE, CAT6 ETHERNET - 7 FOOT	1
SE-0433	CABLE, CAT. 6 NETWORK CROSSOVER CABLE (100' Length)	1
SE-0637	HUB, ETHERNET, 10,100,1000 MEGABIT	1

BOX 2		
PART NUMBER	DESCRIPTION	QTY
SE-0319	HOSE, HYDRAULIC, 10K, 1/4", JIC FEMALE, 50'	4
TSC-02183	Power Cable 100 ft CABLE, POWER, 115V, 100 FOOT FOR DATA LOGGER	1

△ A2

PROPRIETARY AND CONFIDENTIAL: THE INFORMATION CONTAINED IN THIS DRAWING IS THE SOLE PROPERTY OF THE SUBSEA COMPANY INC. ANY REPRODUCTION IN PART OR AS A WHOLE WITHOUT THE WRITTEN PERMISSION OF THE SUBSEA COMPANY INC IS PROHIBITED.	WORKMANSHIP STANDARD PER WI 751-001	NAME DRAWN <i>GREG</i> 5-5-15 CHECKED <i>Corey</i> 5-6-15 Q.A. <i>AL</i> 5-15-15 MFG./SALES <i>AL</i> 5-15-15	DATE 5-5-15 5-6-15 5-15-15 5-15-15	THE SUBSEA COMPANY INC	SIZE B	TITLE: SIGNATURE TESTER, SURFACE, 8-PORT, TYPE III	REV A2
	3RD ANGLE PROJECTION: 	UNLESS OTHERWISE SPECIFIED: ALL DIMENSIONS ARE IN INCHES	DWG. NO. TSC-ST-08-BOM-GA				
INTERPRET GEOMETRIC TOLERANCING PER: ASME Y14.5	WEIGHT:						