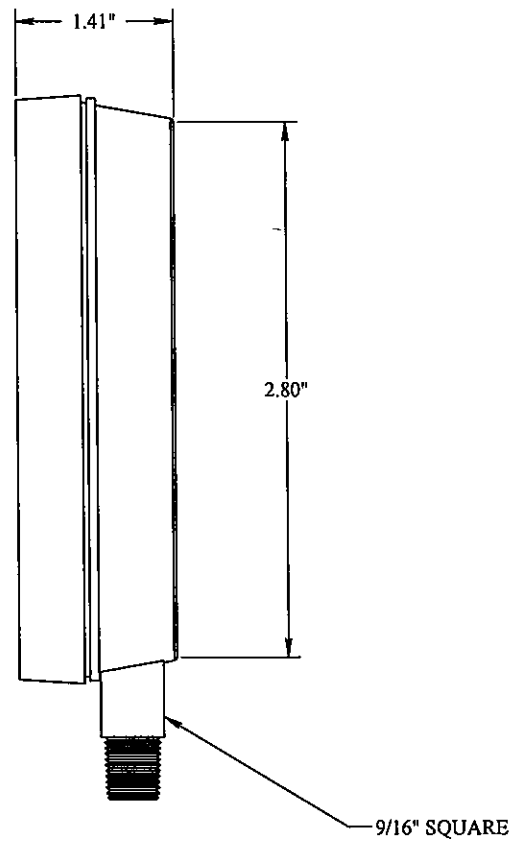
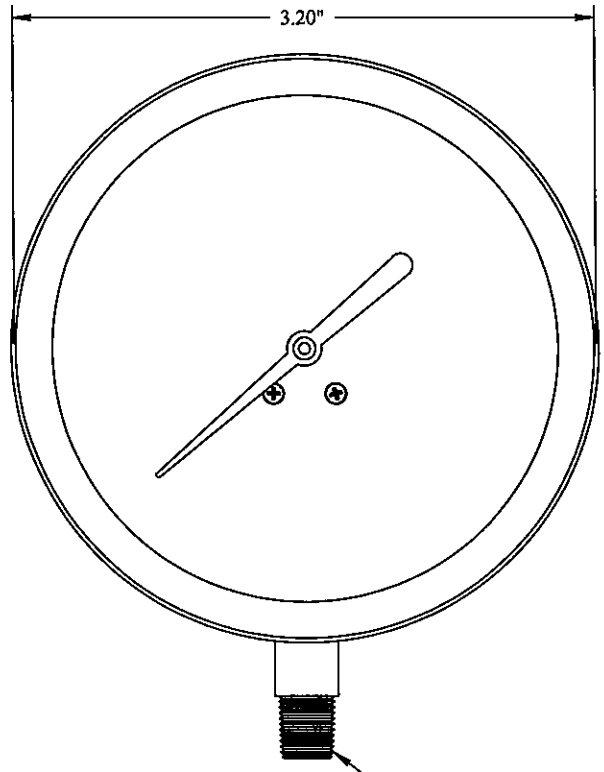
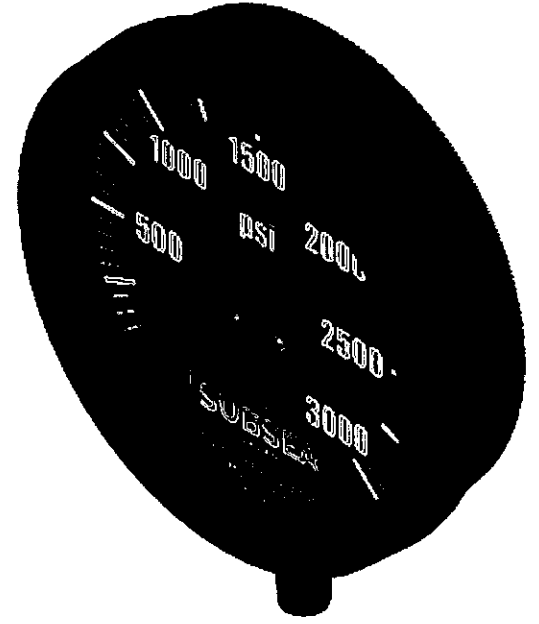


8 7 6 5 4 3 2 1

REVISIONS				
REV.	DESCRIPTION	ECO #	DATE	APPROVED
A1	RELEASE	2014-247	7/10/2014	CMB



1/4" NPT THREADS

PROPRIETARY AND CONFIDENTIAL:
 THE INFORMATION CONTAINED IN THIS DRAWING IS THE SOLE PROPERTY OF THE SUBSEA COMPANY INC. ANY REPRODUCTION IN PART OR AS A WHOLE WITHOUT THE WRITTEN PERMISSION OF THE SUBSEA COMPANY INC IS PROHIBITED.

3RD ANGLE PROJECTION:

INTERPRET GEOMETRIC TOLERANCING PER: ASME Y14.5

WORKMANSHIP STANDARD PER WI 751-001

UNLESS OTHERWISE SPECIFIED: ALL DIMENSIONS ARE IN INCHES

WEIGHT: 0.81 lbs.

	NAME	DATE
DRAWN	TLC	7/11/14
CHECKED	CMB	7-16-14
Q.A.	Ka	7-16-14
MFG APPR.		

SCALE: 3:5

DO NOT SCALE DRAWING

		THE SUBSEA COMPANY INC	
		SIZE: B	REV: A1
TITLE: SUBSEA PRESSURE GAUGE - 2.5" STEM MOUNT		DWG. NO. TSC-02038-GA	SHEET 1 OF 1

8 7 6 5 4 3 2 1