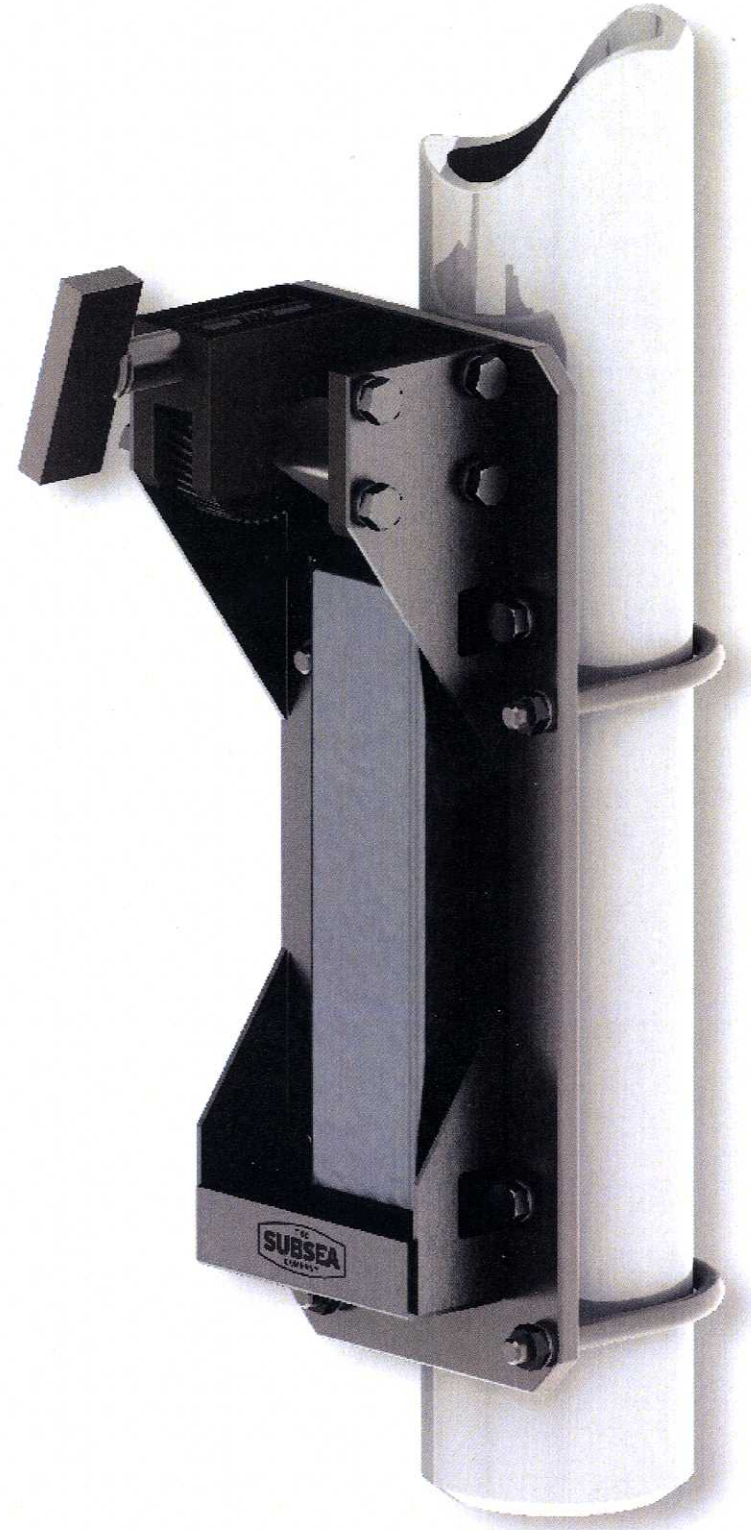
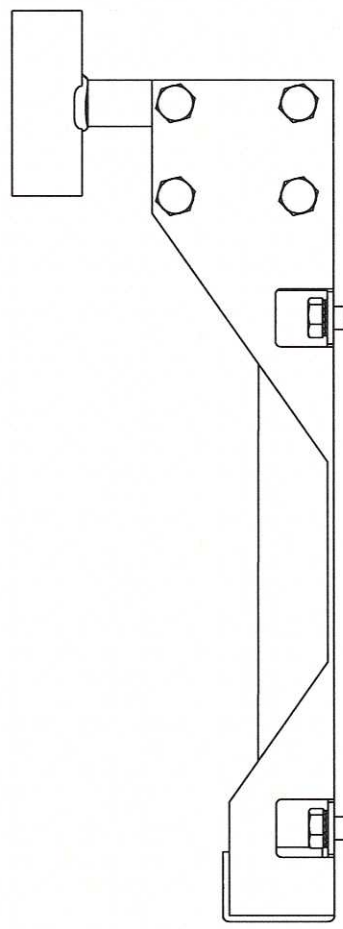
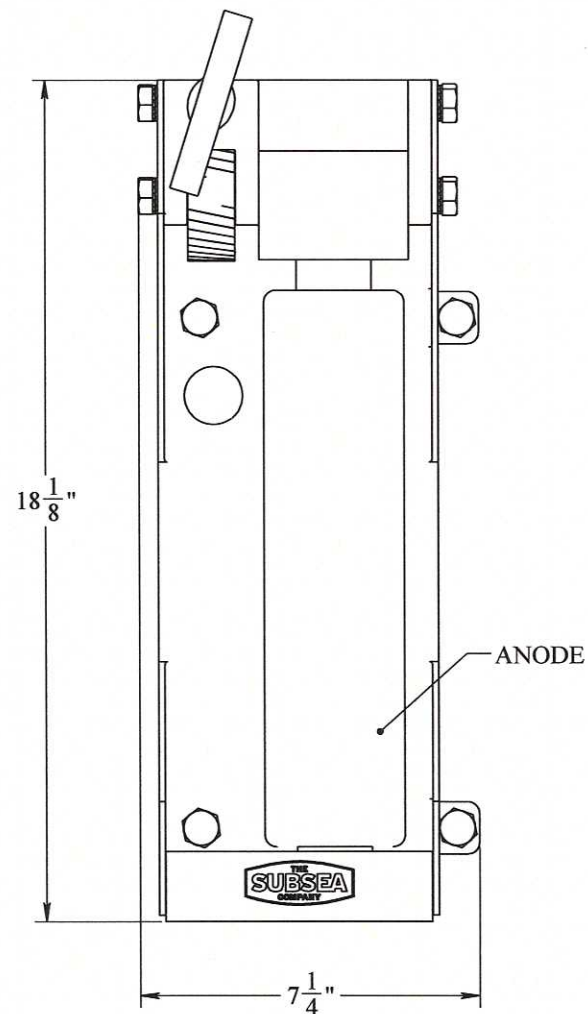
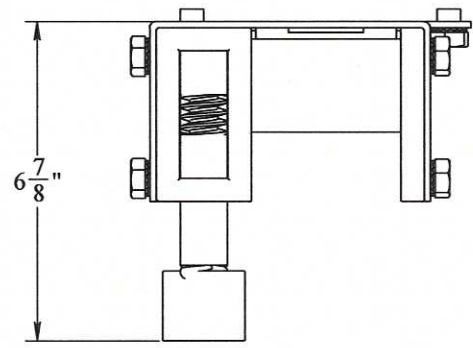


8 7 6 5 4 3 2 1

REVISIONS				
REV.	DESCRIPTION	ECO #	DATE	APPROVED
A1	RELEASE	2013-034	1/25/2013	GNB

**ROV RETRIEVABLE ANODE CLAMP**

ROV WILL PLACE THE ANODE IN THE ANODE CAPTURE TRAY AND PUSH DOWN INTO A SPRING CATCH MECHANISM. THE ROV WILL THEN SPIN THE HANDLE CLOCKWISE AND THE WORM GEAR CAM WILL ROTATE AROUND AND LOCK THE ANODE INTO PLACE.



**NOT APPROVED FOR MANUFACTURING FOR CUSTOMER APPROVAL ONLY**

<b>PROPRIETARY AND CONFIDENTIAL:</b> THE INFORMATION CONTAINED IN THIS DRAWING IS THE SOLE PROPERTY OF THE SUBSEA COMPANY INC. ANY REPRODUCTION IN PART OR AS A WHOLE WITHOUT THE WRITTEN PERMISSION OF THE SUBSEA COMPANY INC IS PROHIBITED.	WORKMANSHIP STANDARD PER WI 751-001	NAME: GREG B DATE: 1-25-13	<b>THE SUBSEA COMPANY INC</b>	SIZE: <b>B</b> TITLE: ROV RETRIEVABLE ANODE CLAMP REV: <b>A1</b>	
	UNLESS OTHERWISE SPECIFIED: ALL DIMENSIONS ARE IN INCHES	Q.A. [Signature] MFG APPR. [Signature] 1-25-13			SCALE: 1:8
	3RD ANGLE PROJECTION:	INTERPRET GEOMETRIC TOLERANCING PER: ASME Y14.5			DO NOT SCALE DRAWING
	WEIGHT: 34.54 lbs.	DWG. NO. TSC-00895-GA			SHEET 1 OF 1

8 7 6 5 4 3 2 1