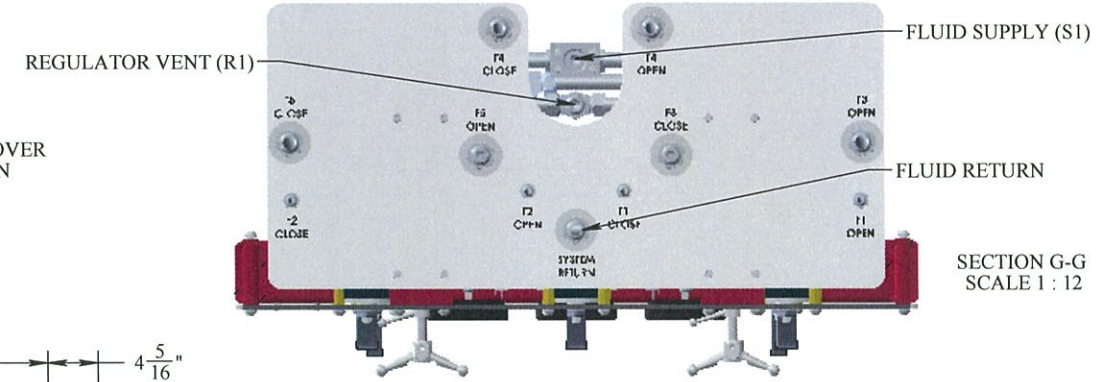
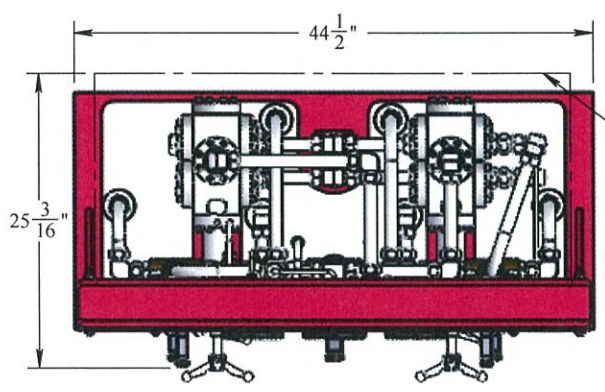
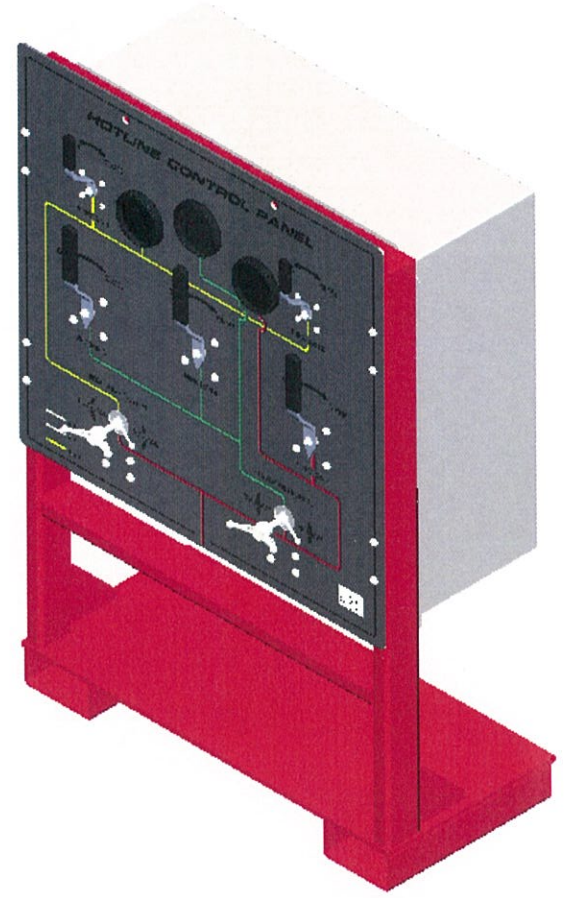


REVISIONS				
REV.	DESCRIPTION	ECO #	DATE	APPROVED
A1	RELEASE	2012-008	1/4/2012	
B1	ADDED CONNECTION VIEW ON SHEET 2	2012-197	5/15/2012	GNB
C1	UPDATED FROM REVISION	2014-227	7/11/2014	GNB
C2	SEAL & REPAIR KIT TABLE	2014-439	10/6/2014	GNB
C3	UPDATE SEAL KITS AND REPAIR KITS	2014-485	11/14/2014	GNB

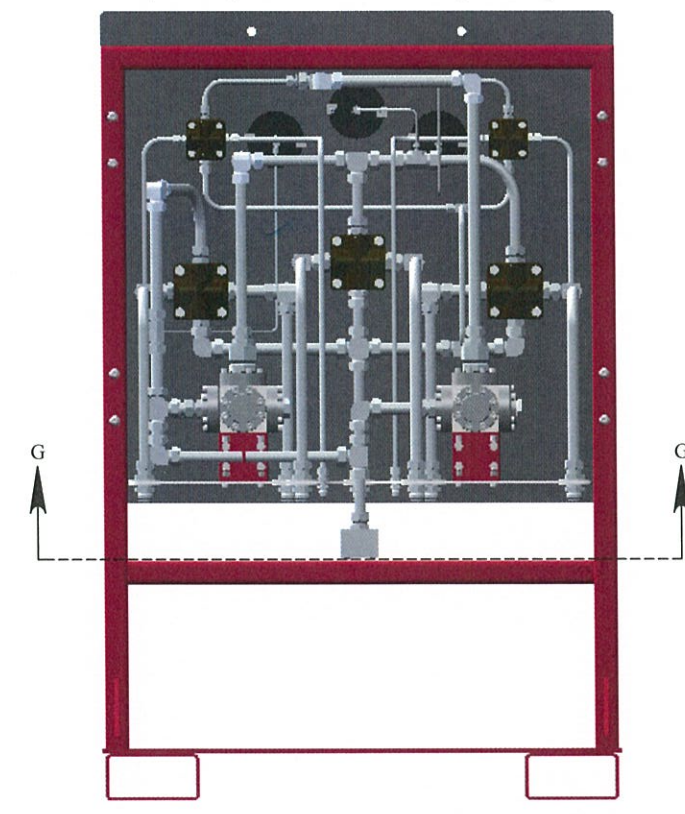
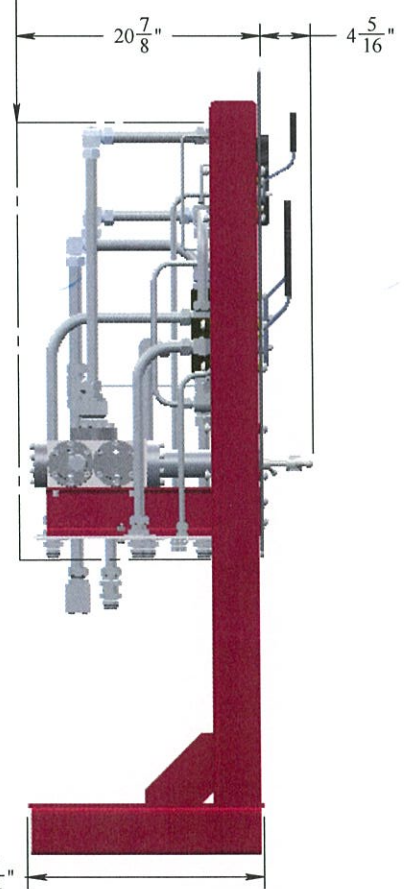
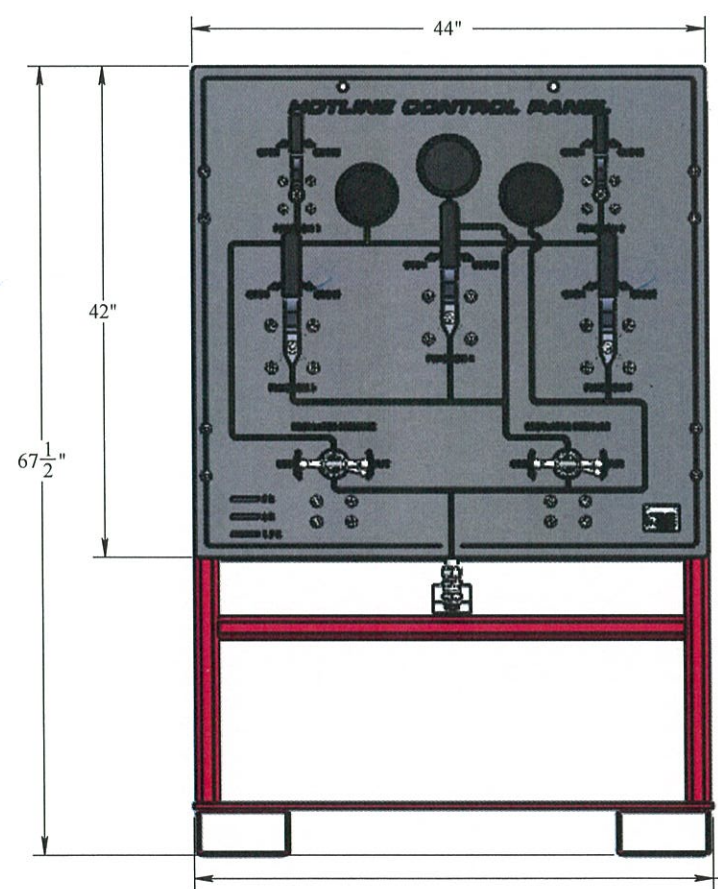
PART NO.	DESCRIPTION	QTY
TSC-00196-SK	SEAL KIT AND FITTINGS FOR REGULATORS & VALVES INCLUDE FOLLOWING 4 PARTS	
TSC-01564-SK	SEAL KIT, REGULATOR, 1-1/2" HEAVY DUTY HYDRAULIC, SAE, INLET = 5000psi, REGULATED 500-3300 psi	1
TSC-01563-SK	SEAL KIT, REGULATOR, 1-1/2" HEAVY DUTY HYDRAULIC, SAE, INLET = 5000psi, REGULATED 300-1600 psi	1
TSC-01562-SK	SEAL KIT, VALVE, MANIPULATOR, HEAVY DUTY, 1" SAE 5000PSI 3 POSITION	3
TSC-01561-SK	SEAL KIT, VALVE, MANIPULATOR, HEAVY DUTY, 1/2" SAE, 3000PSI 3 POSITION	2
TSC-00196-RK	REPAIR KIT AND FITTINGS FOR REGULATORS & VALVES INCLUDE FOLLOWING 4 PARTS	
TSC-01564-RK	REPAIR KIT, REGULATOR, 1-1/2" HEAVY DUTY HYDRAULIC, SAE, INLET = 5000psi, REGULATED 500-3300 psi	1
TSC-01563-RK	REPAIR KIT, REGULATOR, 1-1/2" HEAVY DUTY HYDRAULIC, SAE, INLET = 5000psi, REGULATED 300-1600 psi	1
TSC-01562-RK	REPAIR KIT, VALVE, MANIPULATOR, HEAVY DUTY, 1" SAE 5000PSI 3 POSITION	3
TSC-01561-RK	REPAIR KIT, VALVE, MANIPULATOR, HEAVY DUTY, 1/2" SAE, 3000PSI 3 POSITION	2

△C3

△C3



SECTION G-G  
SCALE 1 : 12



PORT	PRESSURE	FITTING
S1	5000 PSI	CODE 62 FLANGE
R1	-	JIC 1"
R2	-	JIC 1"
F1 - OPEN	0 - 1500 PSI	JIC 1/2"
F1 - CLOSED	0 - 1500 PSI	JIC 1/2"
F2 - OPEN	0 - 1500 PSI	JIC 1/2"
F2 - CLOSED	0 - 1500 PSI	JIC 1/2"
F3 - OPEN	0 - 3000 PSI	JIC 1"
F3 - CLOSED	0 - 3000 PSI	JIC 1"
F4 - OPEN	0 - 3000 PSI	JIC 1"
F4 - CLOSED	0 - 3000 PSI	JIC 1"
F5 - OPEN	5000	JIC 1"
F5 - CLOSED	5000	JIC 1"

- NOTES
1. SHEET METAL COVER NOT SHOWN FOR CLARITY
  2. APPROXIMATE WEIGHT: 740 LBS
  3. DESIGNED FOR 1.5 KPSI, 3 KPSI, AND 5 KPSI OUTPUT
  4. TWO VALVES FOR 1.5K, TWO VALVES FOR 3K, AND ONE FOR 5K
  5. BOTTOM MOUNT INLET AND OUTLETS
  6. 1" CODE 62 FLANGE FOR OUTLET
  7. 1/2" JIC FITTING FOR 1.5K INLET
  8. 1" JIC FITTINGS FOR 3K AND 5K INLETS
  9. DESIGNED TO OPERATE ON STANDARD BOP FLUID

**PROPRIETARY AND CONFIDENTIAL:**  
THE INFORMATION CONTAINED IN THIS DRAWING IS THE SOLE PROPERTY OF THE SUBSEA COMPANY INC. ANY REPRODUCTION IN PART OR AS A WHOLE WITHOUT THE WRITTEN PERMISSION OF THE SUBSEA COMPANY INC IS PROHIBITED.

3RD ANGLE PROJECTION:

INTERPRET GEOMETRIC TOLERANCING PER: ASME Y14.5

WORKMANSHIP STANDARD PER WI 751-001

UNLESS OTHERWISE SPECIFIED:  
ALL DIMENSIONS ARE IN INCHES

NAME	DATE
DRAWN: <i>Sobell</i>	11-14-14
CHECKED: <i>Green</i>	11-17-14
Q.A.:	
MFG./SALES: <i>RJA</i>	12/10/18

SCALE: 1:16

DO NOT SCALE DRAWING

**THE SUBSEA COMPANY** THE SUBSEA COMPANY INC

SIZE: **B** TITLE: PANEL, HOTLINE STACK SYSTEM REV: **C3**

DWG. NO. TSC-00196-GA SHEET 1 OF 1